



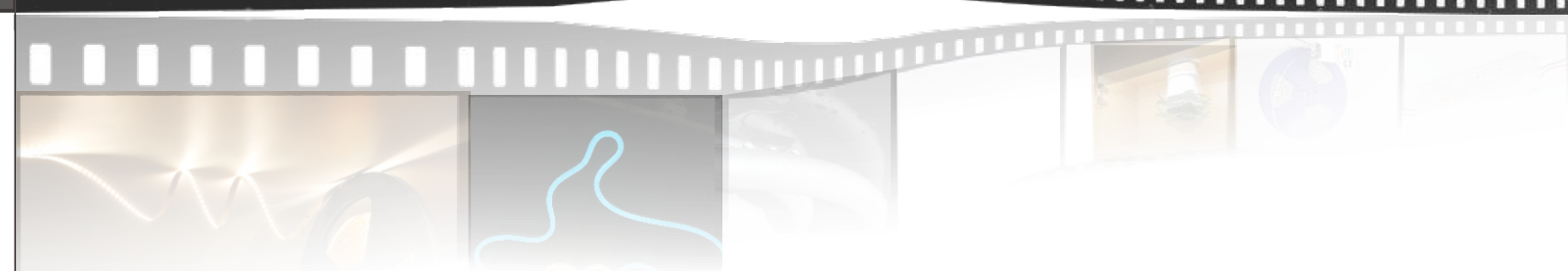
[www.surmountor.com](http://www.surmountor.com)



[www.sur-led.com](http://www.sur-led.com)



Flexible LED Strip  
LED Silicone Neon Strip  
LED Grow Strip  
LED Sensor Switch  
Accessories for LED Strip



## Surmountor Lighting Co., Limited

+86-755-2792 6119 / 2792 6326

[sales@surmountor.com](mailto:sales@surmountor.com)

[www.surmountor.com](http://www.surmountor.com)

[www.sur-led.com](http://www.sur-led.com)

[www.ledstrip.cc](http://www.ledstrip.cc)

[www.ledaluprofile.net](http://www.ledaluprofile.net)

D Building, Xinlong High-Tech  
Zone, No. 5, Furui Road, Qiaotou,  
Fuyong Town 518103, Bao`an,  
Shenzhen, Guangdong Province, China.



# Catalogue

(2018~2019)

# CONTENTS

Company Overview .....	1
Main Markets Distribution .....	2-3
Certificate .....	4
High Color Rendering Index .....	5
Color Rendering Index For White LED .....	6
Color Consistency .....	7
High CRI .....	8
Waterproof Grade .....	9
New Waterproofing Technology Introduction .....	10
Power Connection .....	11
Main Application for LED Strip .....	12
<b>DIY Flexible Neon Silicone Tube for LED Strip .....</b>	<b>14-19</b>
<b>LED Flex Neon Rope Light Series .....</b>	<b>20-25</b>
<b>LED Grow Light Series .....</b>	<b>26-31</b>
<b>48V Super Long 30m constant current led strip .....</b>	<b>32-34</b>
<b>High Voltage 220V LED Light Series .....</b>	<b>35-36</b>
<b>LED Strip(Standard Series) .....</b>	<b>37</b>
SMD 3535 .....	38
SMD 4040 .....	39
SMD 2110 .....	40-41
SMD 2014 .....	42
SMD 2835 .....	43-48
SMD 2216 .....	49-52
SMD 3014 .....	53-56
SMD3527 .....	57-59
SMD 3528 .....	60-62
SMD 5025 .....	63
SMD 5050 .....	64-75
SMD 5730 .....	76
SMD 335 .....	77-78
<b>Accessories for LED Strip .....</b>	<b>79</b>
<b>LED Controller .....</b>	<b>80</b>
<b>Power Supply .....</b>	<b>81</b>
<b>LED Sensor Switch .....</b>	<b>82-97</b>

# COMPANY

## OVERVIEW

**Surmountor Lighting Co., Limited.** located in Shenzhen , the famous LED City in China. With over 10 years experience, we are specialized in producing LED Aluminum Profile, LED Linear Lighting, Flexible LED Strip, LED Neon Flex, LED Grow Light and LED Sensors Switches. Most of products are widely used in hotel lighting, office lighting, shop lighting, kitchen lighting, outdoor lighting, etc. Surmountor is a big family with more than 80 employees, advanced production equipment and staff cooperation. Our factory production monthly capacity reach >120000 meters of flexible led strips, 150000 meters led profiles, 100000 pieces sensor switches and so on.

Competitive price, stable quality, timely delivery and good service make us gained good reputation among our customers all over the world, such as in Europe, North America, Latin America, Australia and Middle East. Our LED products are CE, RoHS, UL listed and we have passed ISO9001:2015 management system.

With wide range led products line, we concentrate on offering one stop and one package service. Most customers choose our linear lights for their important hotel lighting projects. Also our R&D departments always focus on developing new products to keep moving. In 2017, the new products we developed were LED Neon Lights and LED Grow Lights, the latter improves the plants growth quality and speed, customers can choose different wave lengths and related percentage to meet each plant needs.

Our energetic and creative sales team could understand customers' demands deeply and solve problems promptly. Every customer should be concerned and respected seriously, patiently, responsibly from enquiry-design-sampling-order-production. Based on all our efforts, we attained great achievements and progress in the past 10 years, we also help our customers to expand their markets by constantly developing new products.

Welcome to join us and let's brighten our future together!

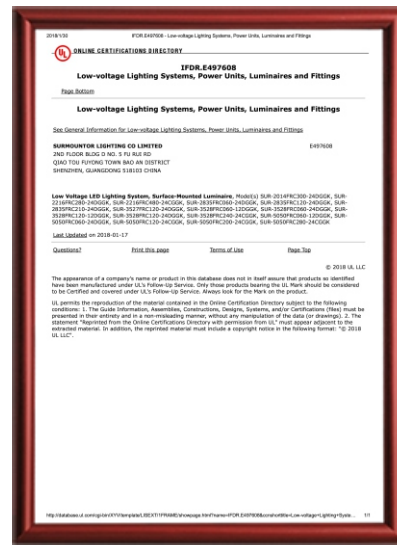


## Main Markets Distribution



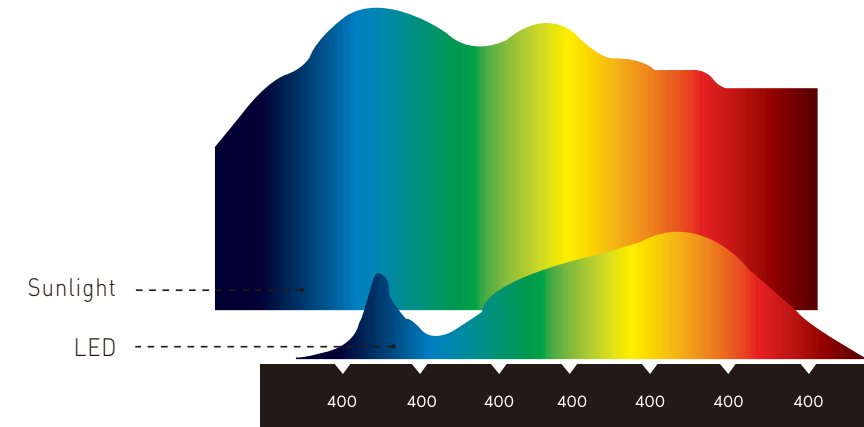
Based on excellent quality and dedicated service, Surmountor is highly recognized and favored by foreign customers, enjoys a high reputation and fame in overseas markets, and has become one of the global consumers' reliable led brands. Products are exported to Europe, North America, Latin America, Australia, Middle East and more than 50 countries.

# Certificate

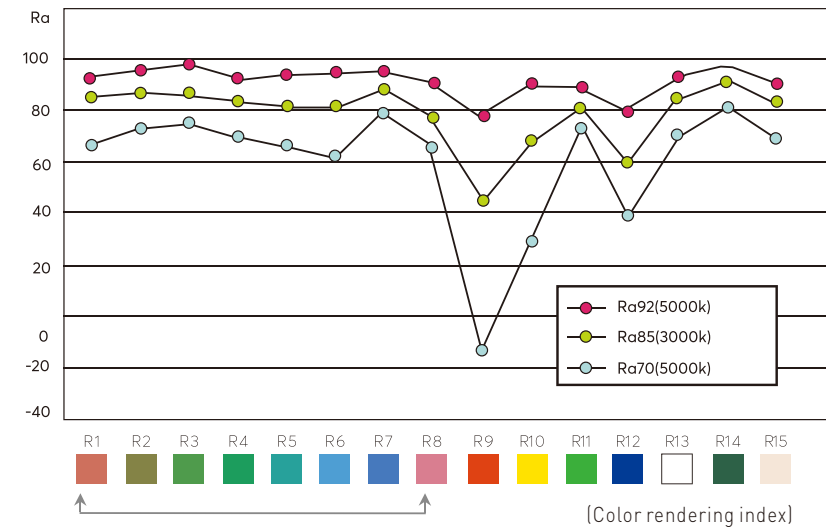


# High color rendering index

A high color rendering index (Ra → 90) makes the subject natural and fresh. Currently only few LED products have this feature. The use of high power products with high IRC, marks stand out the color and the features of materials, perfectly reflecting the color of the subject, especially people. It is an ideal lighting solution for shops and social activities places.



Average Ra evaluation index



Ra Evaluation index is applied to estimate the color rendering index of the lighting product to see the reflection level of natural color compared to those given by conventional lightings.

Average color rendering index ranges from R1 to R8.

The eight values of color rendering index average



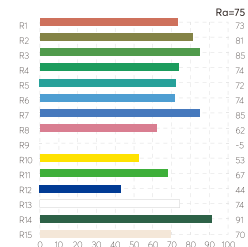
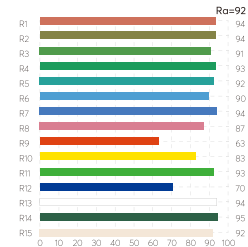
# Color rendering index for white led

Ra is the average from R1 to R8. When designing high CRI LED, attention should not only be paid on average Ra, but also on R9 (colour rendering value for saturated red) and on the average of value from R9 to R12 for red, yellow, green, blue. Studies have demonstrated that there is a gap between Ra and the visual evaluation of the color of the white LED. White LEDs with low Ra may look very beautiful, while others with high Ra may appear less pleasant. High IRC can be ensured in the white LED, when both the Ra and R9 have high value.



# R9?

R9 refers to a saturated red, with a wavelength of 650nm. With low R9, the red component is not sufficient, so the lamp does not render the color naturally. The higher the Ra value, the better the red rendering. Higher values, give a better aspect to fruit and flowers, making them look more brightly colored. In particular for commercial lighting, the use of products with low R9 is should be avoided.

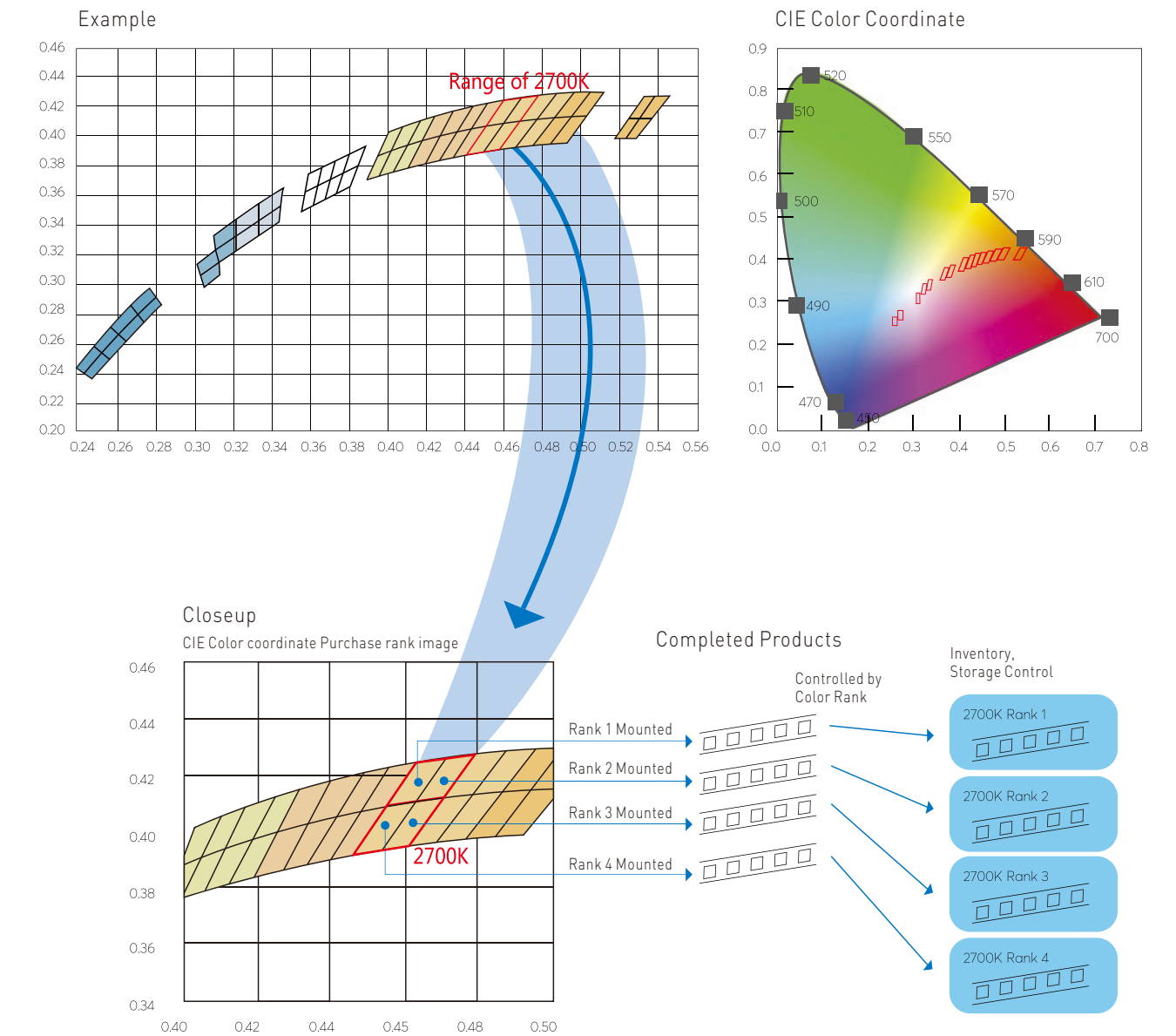


# Color consistency

Front-End Control

The LEDs are selected by color coordinates and divided into ranks. Ranks are not mixed with other ranks when they are mouned on printed circuit boards. Mounting, inventory and shipping management are performed by ranks. In addition, a visual color inspection of all the units is carried out when the finished product are delivered.

Color temperature control



## High CRI

All LED Strips can reach CRI 90 or 95!

CRI 70



Distorted color  
Dim

CRI 80



Normal color  
Satisfy the basic needs of light

CRI 90-95



Optimal color reproduction  
As natural as sunshine

## Customization of Light



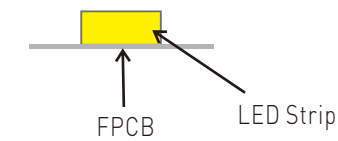
To design colors, wave length, color temperatures and BIN as you want.

## Waterproof Grade

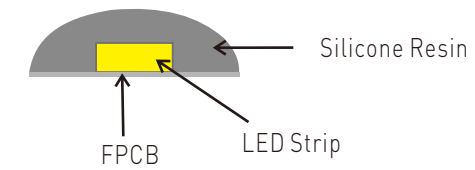
More Protections for More Demands

Surmountor design with optional IP20, IP65, IP67, IP68 protection

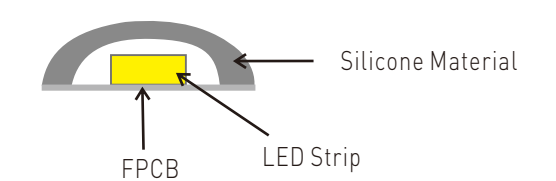
### IP20 Non-Waterproof



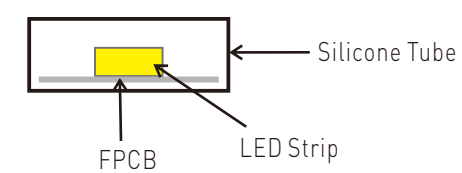
### IP65 Silicone Resin Dropping



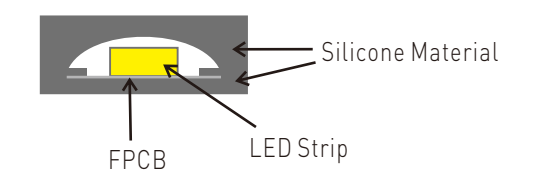
### IP65 Surface Silicone Extrusion Molding



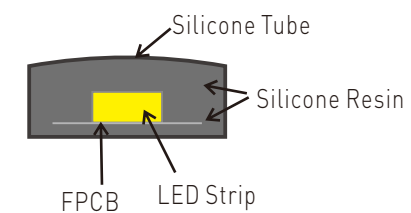
### IP67 Silicone Tube



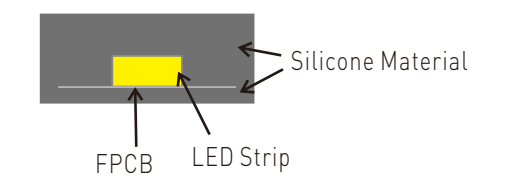
### IP67 Silicone Extrusion Molding



### IP68 Silicone Resin Filling into silicone tube



### IP68 Silicone Extrusion Molding





# New waterproofing technology Introduction

## Are you concerned about maintaining the CCT of waterproof LED strip?

After applying silicone/PU waterproof glue, the color temperature of LED strips usually increases about 300K-500K. That can be a problem. Also, when using traditional waterproofing technology it is difficult to maintain the same color temperature for every order.

### Good news !

We are now using a new waterproofing technology with silicone extrusion molding which makes it possible to control the color temperature, allowing us to maintain a guaranteed CCT tolerance within  $\pm 100K$  for each order.

### How and why does it work?

Traditional waterproof coatings (such as silicone glue or PU glue) bond to the LED diodes directly. Because the LED diodes also have their own silicone coating, these two layers of silicone material cause a change in the CCT.

However, our new technology using silicone extrusions can now prevent this problem. Each model of LED strip has its own specific extrusion mold for waterproofing (as shown in the pictures below).

Using these specific molds, the silicone will not touch the LED diode directly, which means the LED strip can now maintain the same color temperature as the original LED diode.

The maximum length can be up to 50 meters per roll.

Both IP65 and IP67 waterproofing levels are available.

### Cross-section view of our new-method IP65 and IP67 silicone extrusion LED strips:



IP65 Surface Silicone Extrusion Molding. No silicone on the back. Inside is empty, silicone material does not touch the LED.

FPCB

IP67 Silicone Extrusion Molding. Silicone all around the LED strip. LED and FPCB are in the middle of silicone, but silicone does not touch LED.

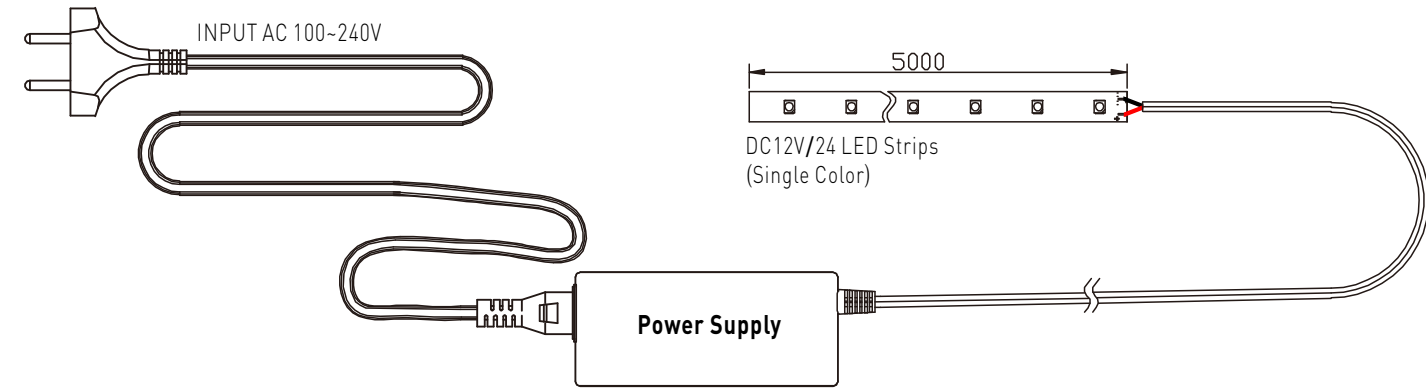
FPCB is combined on the back silicone strongly, no moving

### Extrusion Molding Machine:

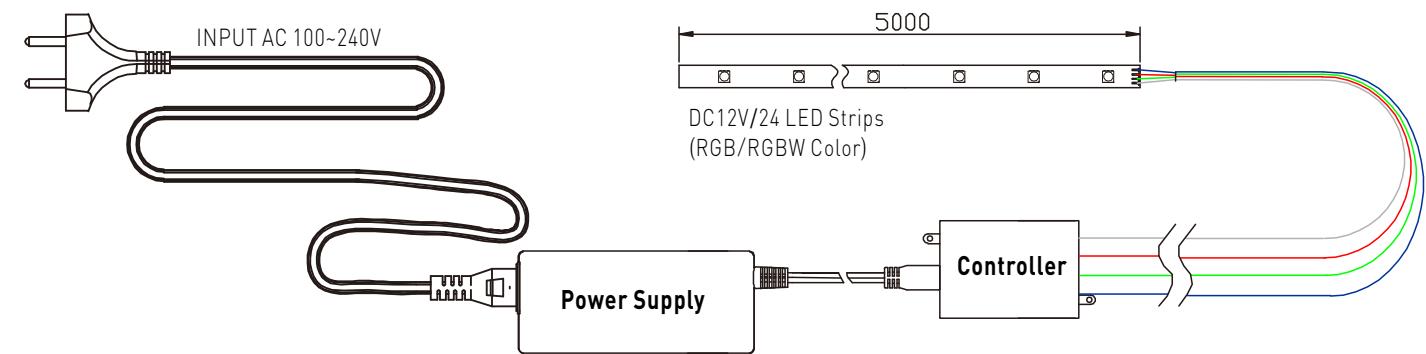


# Power Connection

## 1. Single Color Strips

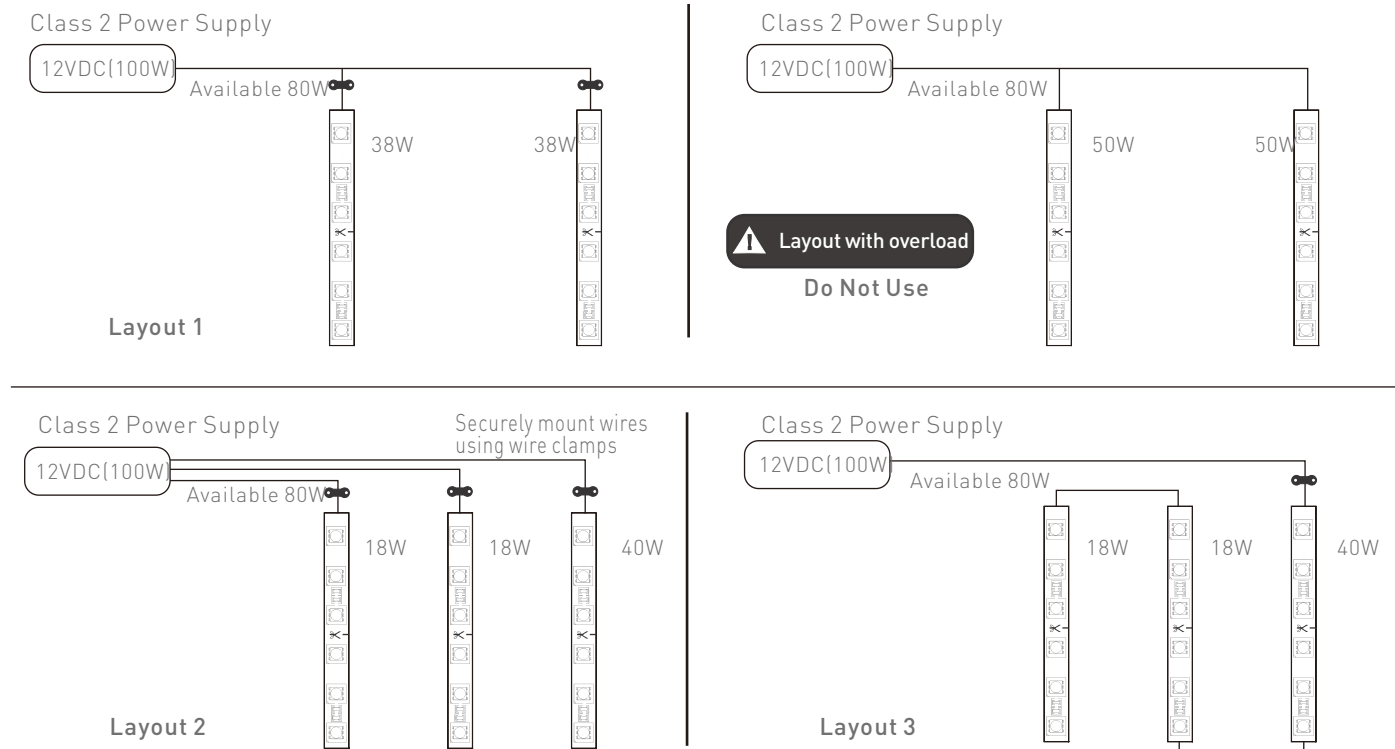


## 2. RGB/RGBW Strips



## Layout Options

**Note:** Always check the wattage of your LED Strip or Fixture. Power Supply wattage x 0.8 = Available Wattage

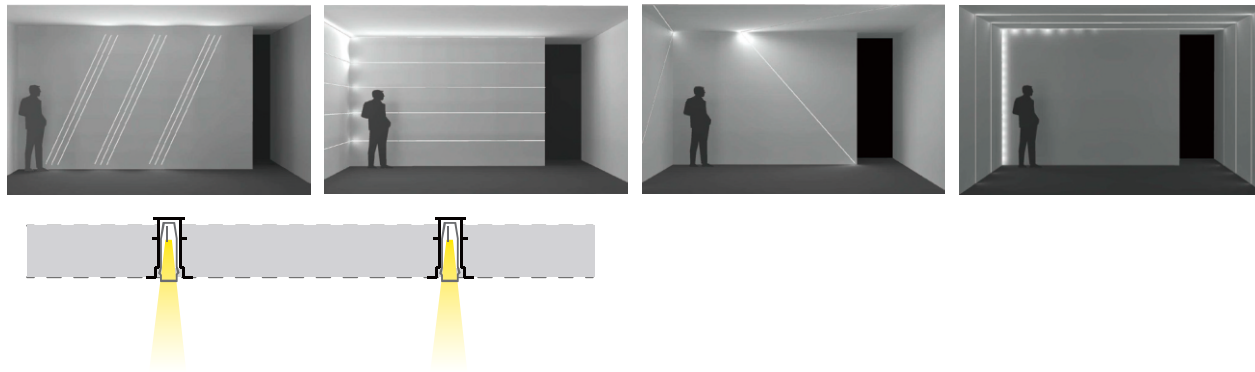


Layout with overload  
Do Not Use

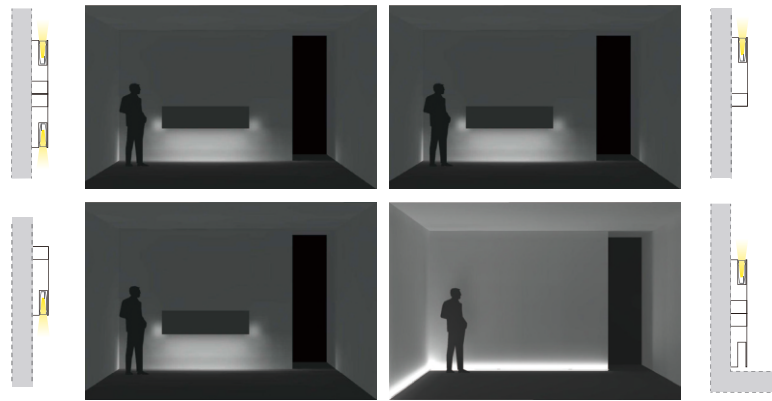


## Main application for led strip

Mainly use for wall linear decoration or liner outline.

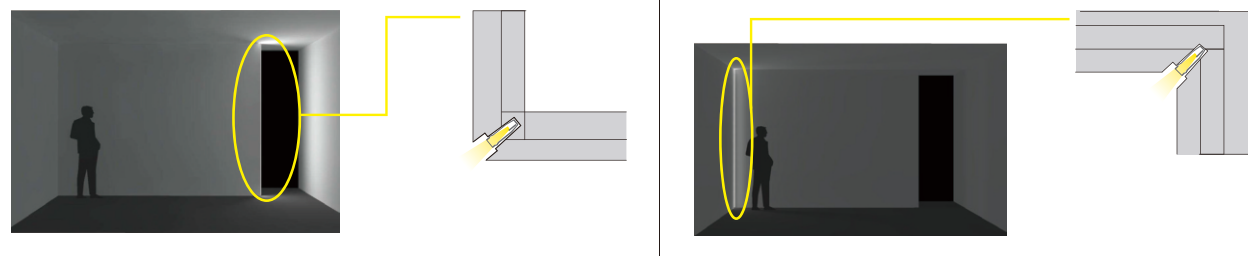


Background illumination:



Installation for inner and outer corner

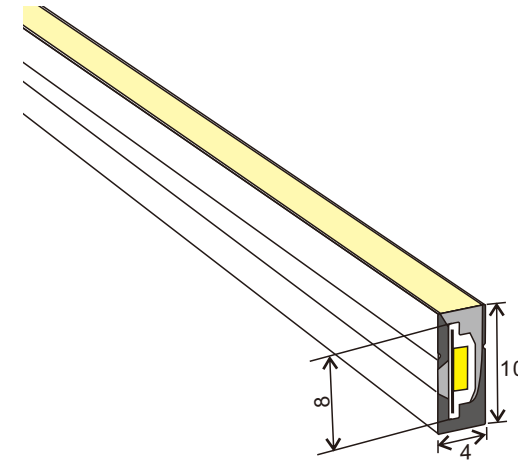
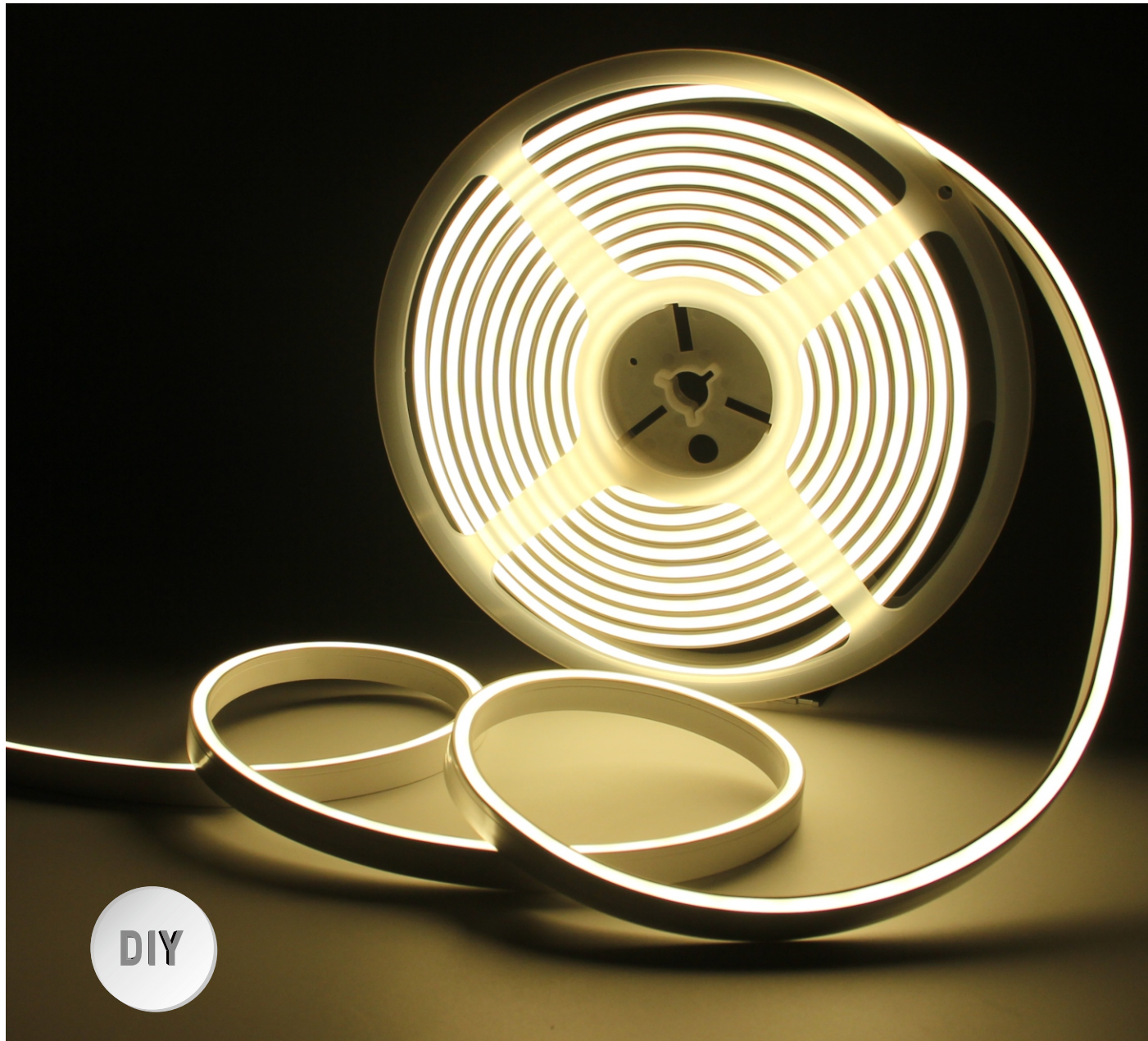
Directly install to the inner or outer corner made with the palster or normal masonry.





# DIY Flexible Neon Silicone Tube For LED Strip

Excellent flexibility to shape optionally, outdoor waterproof, Anti-yellowing, weather resistance  
 Good thermal conductivity, easy to install

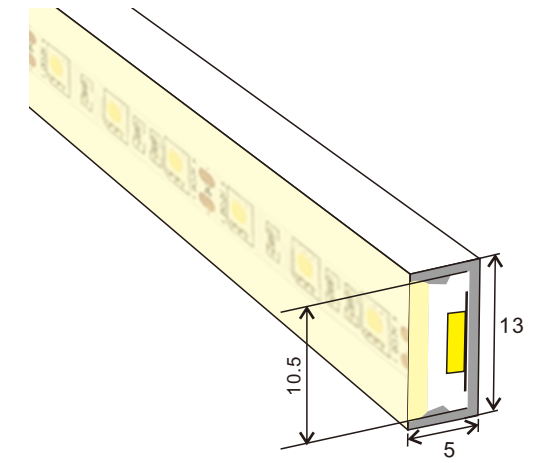


Material: Silicone resin.  
 Standard length: 5m(10m/20m/50m/100m are available).  
 PCB width: 4-7mm.  
 Beam Angle: 120°.  
 Minimum bend radius 50mm.  
 IP rating: IP67.

### Accessories(optional):

Description	Picture
N0410-Tube	
Silicone end cap N0410-EC(without hole)	
Silicone end cap N0410-EC-H(with hole)	
Metal mounting clip N0410-AC	

## Model: N0513

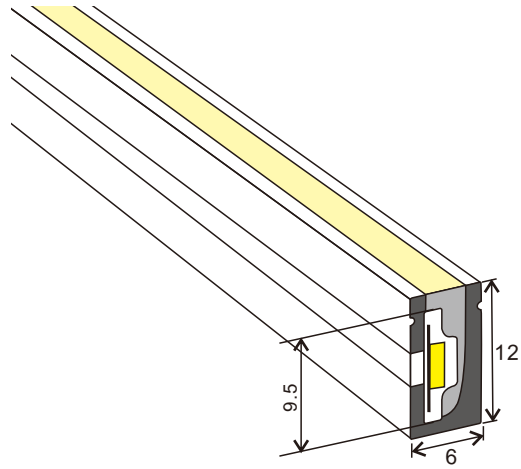


Material: Silicone resin.  
 Standard length: 5m(10m/20m/50m/100m are available).  
 PCB width: 10mm.  
 Beam Angle: 120°.  
 Minimum bend radius 50mm.  
 IP rating: IP67.

### Accessories(optional):

Description	Picture
N0513-Tube	
Silicone end cap N0513-EC(without hole)	
Silicone end cap N0513-EC-H(with hole)	

**Model: N0612B**

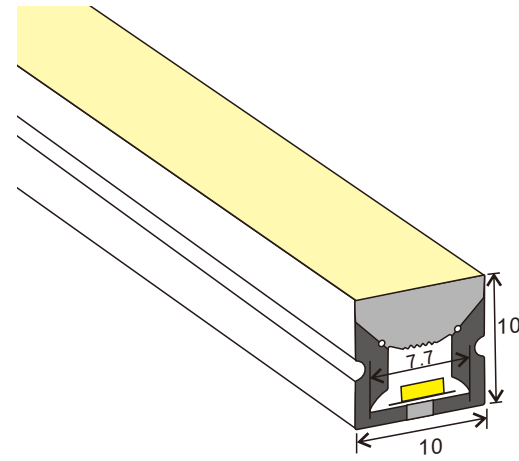


Material: Silicone resin.  
 Standard length: 5m(10m/20m/50m/100m are available).  
 PCB width: 5-8mm.  
 Bean Angle: 120°.  
 Minimum bend radius 50mm.  
 IP rating: IP67.

**Accessories(optional):**

Description	Picture
N0612B-Tube	
Silicone end cap N0612B-EC(without hole)	
Silicone end cap N0612B-EC-H(Straight cable output)	
Silicone end cap N0612B-EC-L / R(Cable Output from Left / Right)	
Silicone end cap N0612B-EC-B(Cable Output from Bottom)	
Metal mounting clip N0612B-AC	

**Model: N1010B**

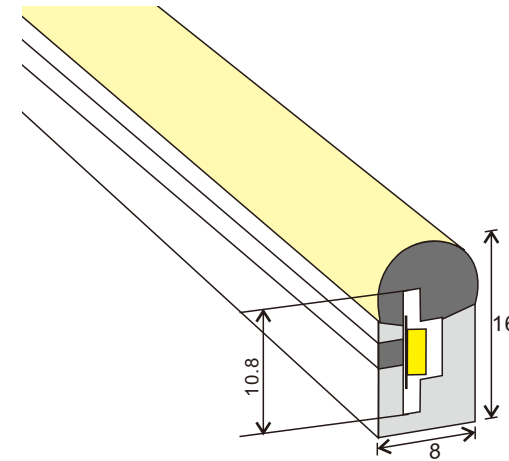


Material: Silicone resin.  
 Standard length: 5m(10m/20m/50m/100m are available).  
 PCB width: 5-6mm.  
 Bean Angle: 120°.  
 Minimum bend radius 50mm.  
 IP rating: IP67.

**Accessories(optional):**

Description	Picture
N1010B-Tube	
Silicone end cap N1010B-EC(without hole)	
Silicone end cap N1010B-EC-S(Straight Cable Output)	
Silicone end cap N1010B-EC-LRB(Cable Output from Side)	
Metal mounting clip N1023B-AC	

**Model: N0816B**

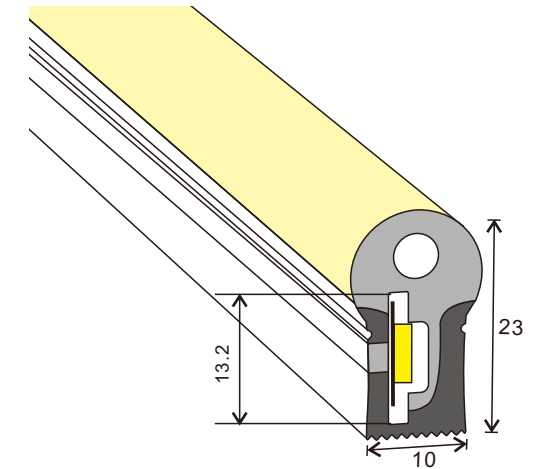


Material: Silicone resin.  
 Standard length: 5m(10m/20m/50m/100m are available).  
 PCB width: 8-10mm.  
 Bean Angle: 150°.  
 Minimum bend radius 100mm.  
 IP rating: IP67.

**Accessories(optional):**

Description	Picture
N0816B-Tube	
Silicone end cap N0816B-EC(without hole)	
Silicone end cap N0816B-EC-H(with hole)	
Metal mounting clip N0816B-AC	

**Model: N1023B**



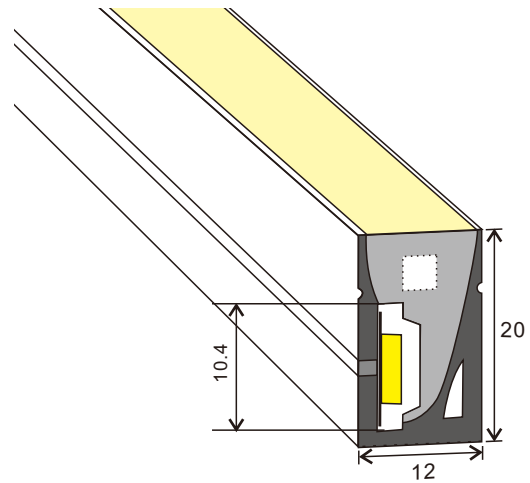
Material: Silicone resin.  
 Standard length: 5m(10m/20m/50m/100m are available).  
 PCB width: 10-12mm.  
 Bean Angle: 180°.  
 Minimum bend radius 100mm.  
 IP rating: IP67.

**Accessories(optional):**

Description	Picture
N1023B-Tube	
Silicone end cap N1023B-EC(without hole)	
Silicone end cap N1023B-EC-B(Cable Output from Bottom)	
Silicone end cap N1023B-EC-L(Cable Output from Left)	
Silicone end cap N1023B-EC-R(Cable Output from Right)	
Metal mounting clip N1023B-AC	



**Model: N1220B**

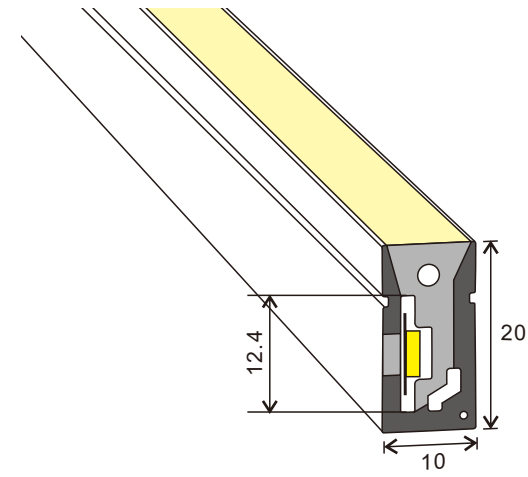


Material: Silicone resin.  
 Standard length: 5m(10m/20m/50m/100m are available).  
 PCB width: 8-10mm.  
 Bean Angle: 120°.  
 Minimum bend radius 100mm.  
 IP rating: IP67.

**Accessories(optional):**

Description	Picture
N1220B-Tube	
Silicone end cap N1220B-EC(without hole)	
Silicone end cap N1220B-EC-B(Cable Output from Bottom)	
Silicone end cap N1220B-EC-L(Cable Output from Left)	
Silicone end cap N1220B-EC-R(Cable Output from Right)	
Metal mounting clip N1220B-AC	

**Model: N1020B**

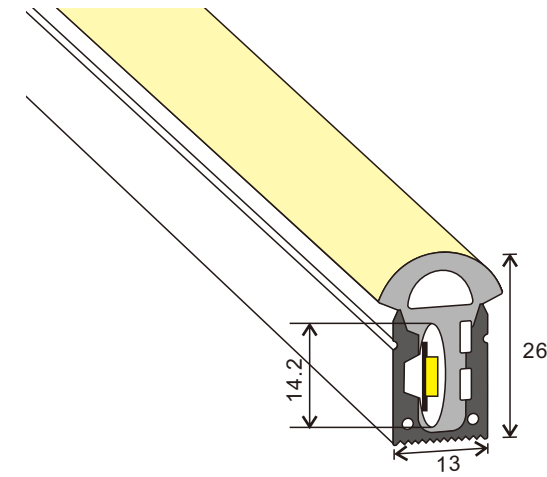


Material: Silicone resin.  
 Standard length: 5m(10m/20m/50m/100m are available).  
 PCB width: 8-10mm.  
 Bean Angle: 120°.  
 Minimum bend radius 100mm.  
 IP rating: IP67.

**Accessories(optional):**

Description	Picture
N1020B-Tube	
Silicone end cap N1020B-EC(without hole)	
Silicone end cap N1020B-EC-S(cable straight out)	
Plastic end cap N1020B-EC-L/R(cable output from left/right)	
Plastic end cap N1020B-EC-B(cable output from bottom)	
Metal mounting clip N1020B-AC	

**Model: N1326**

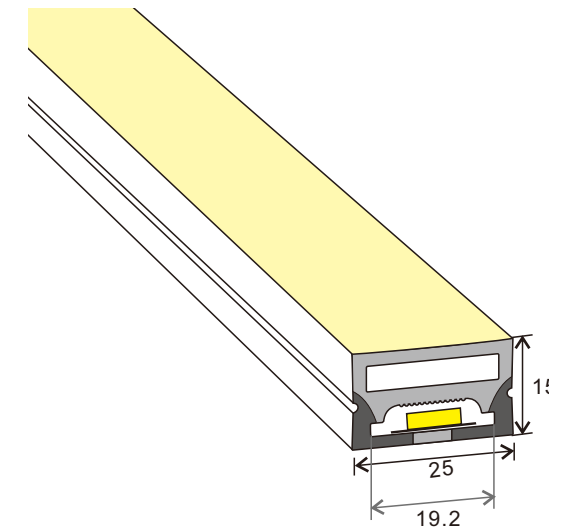


Material: Silicone resin.  
 Standard length: 5m(10m/20m/50m/100m are available).  
 PCB width: 10-12mm.  
 Bean Angle: 150°.  
 Minimum bend radius 100mm.  
 IP rating: IP67.

**Accessories(optional):**

Description	Picture
N1326-Tube	
Silicone end cap N1326-EC(without hole)	
Silicone end cap N1326-EC-H	
Metal mounting clip N1326-AC	

**Model: N2515**



Material: Silicone resin.  
 Standard length: 5m(10m/20m/50m/100m are available).  
 PCB width: 15-18mm.  
 Bean Angle: 120°.  
 Minimum bend radius 100mm.  
 IP rating: IP67.

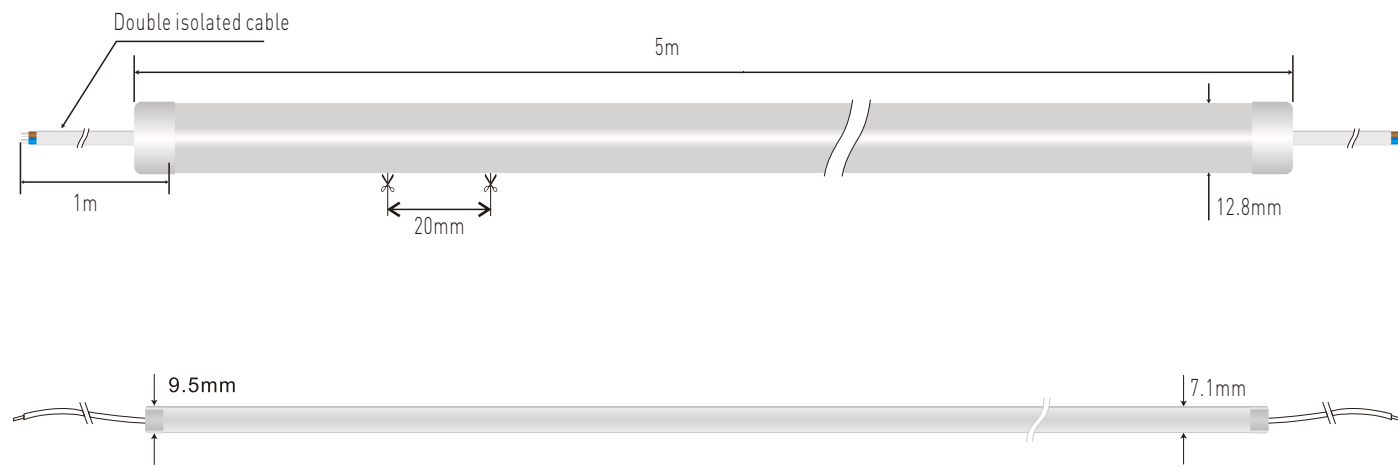
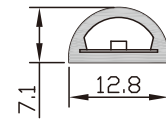
**Accessories(optional):**

Description	Picture
N2515-Tube	
Silicone end cap N2515-EC(without hole)	
Silicone end cap N2515-EC-B(Cable Output from Bottom)	
Silicone end cap N2515-EC-L(Cable Output from Left)	
Silicone end cap N2515-EC-R(Cable Output from Right)	
Metal mounting clip N2515-AC	

## N1207-2014 LED Neon Light (Silicone Resin)



1. LED Type: 2014.
2. CRI80 SMD LED.
3. Long life span LED light, more than 50,000 hours+.
4. Operating temperature: -20~50°C.
5. 5M/10M/20M/30M per reel are available.
6. Beam Angle: 160°.
7. Milky and Frosted silicone resin are available.
8. Minimum bend radius 100mm.

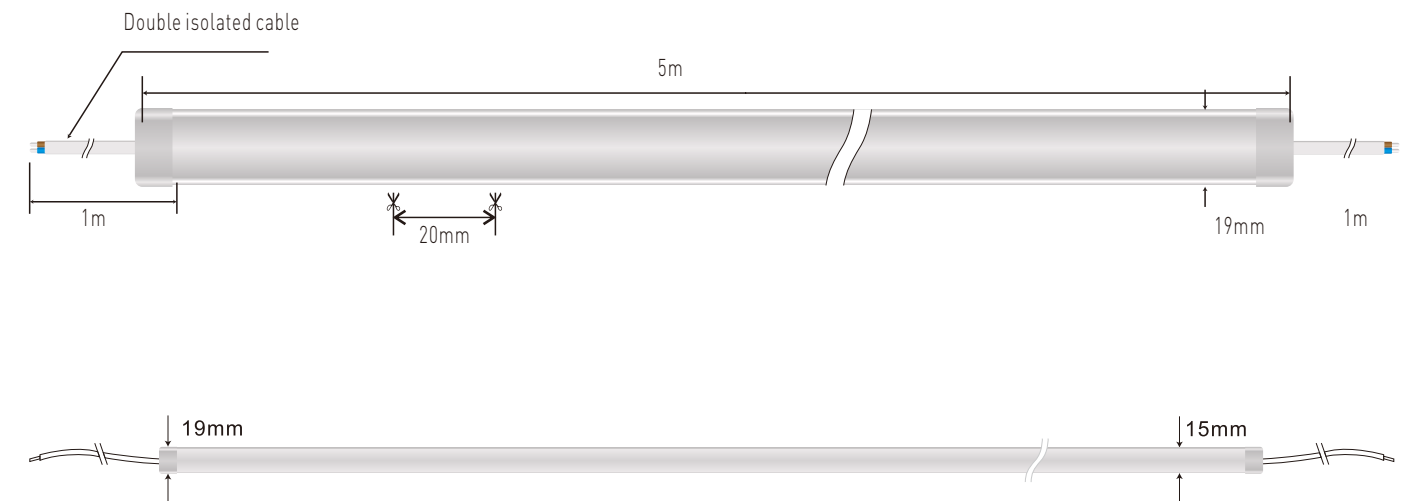
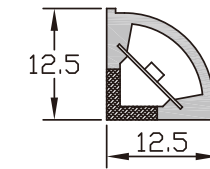


SMD2014, 300LED/Meter (Frosted silicone resin)							
Model No.	Size(mm)	Color	Cut Every (LEDS)	LEDS/M	Lumen/M	Voltage	Power/M
N1207-2014NFWW300D-24V	L5000*W12.8*H7	WW	6	300	1145~1180	24V	19.2W
N1207-2014NFWW300D-24V		NW			1245~1300		
N1207-2014NFCW300D-24V		CW			1245~1300		

## N1212-2014 Corner LED Neon Light (Silicone Resin)



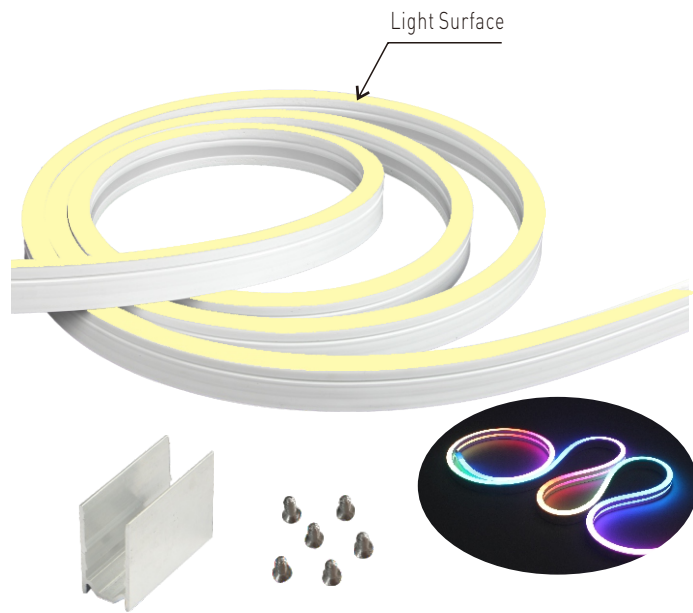
1. LED Type: 2014.
2. CRI 80 SMD LED.
3. Long life span LED light, more than 50,000 hours+.
4. Operating temperature: -20~50°C.
5. 5M/10M/20M/30M per reel are available.
6. Beam Angle: 110°.
7. Minimum bend radius 100mm.



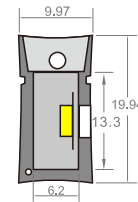
SMD2014, 300LED/Meter							
Model No.	Size(mm)	Color	Cut Every (LEDS)	LEDS/M	Lumen/M	Voltage	Power/M
N1212-2014NFWW300D-24V	L5000*W12.5*H12.5	WW	6	300	400~500	24V	19.2W
N1212-2014NFWW300D-24V		NW			525~550		
N1212-2014NFCW300D-24V		CW			525~550		



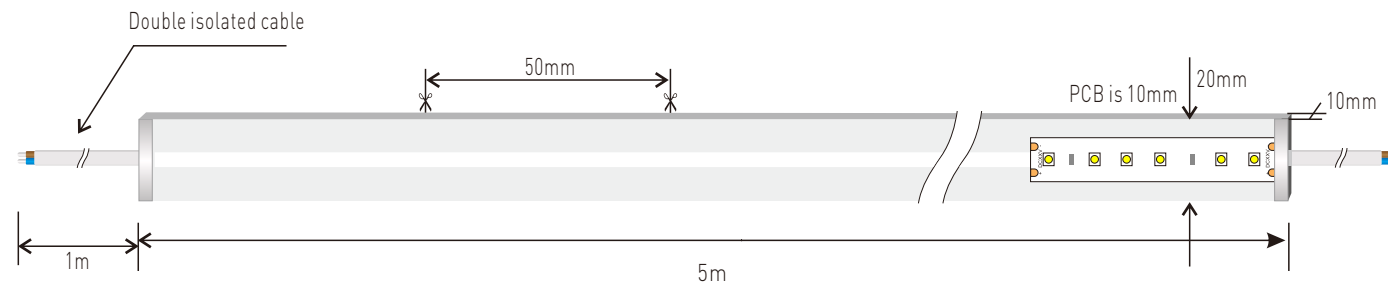
## N1020C LED Neon Light (Silicone Resin)



1. LED Type: 3528, 5050, 2835 are available.
2. Easy Installation Mounting Bracket!
3. Long life span LED light, more than 50,000 hours+.
4. Operating temperature: -20~50°C.
5. 5M/10M/20M/30M per reel are available.
6. Dimmable by using dimmer controller.
7. IP67 waterproof.
8. Minimum bend radius 100mm.

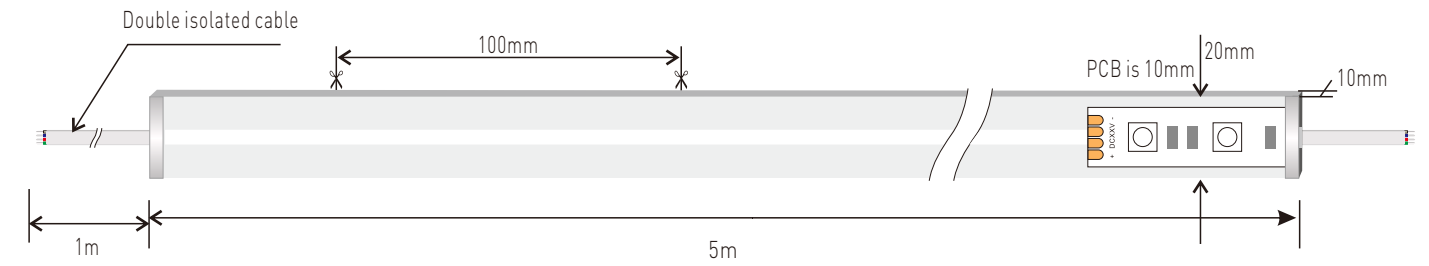


### 1) White / N1020C-3528FW120D-24V



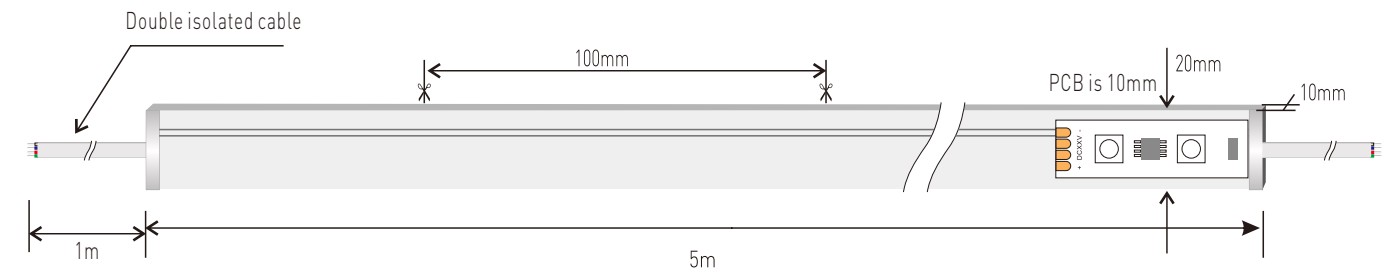
SMD3528, 120LED/Meter							
Model No.	Size(mm)	Color	Cut Every (LEDS)	LEDS/M	Lumen/M	Voltage	Power/M
N1020C-3528FWW120D-24V	L5000*W10*H20	WW	6	120	256	24V	9.6W
N1020C-3528FNW120D-24V		NW			288		
N1020C-3528FCW120D-24V		CW			320		

### 2) RGB / N1020C-5050FRGB60D-24V



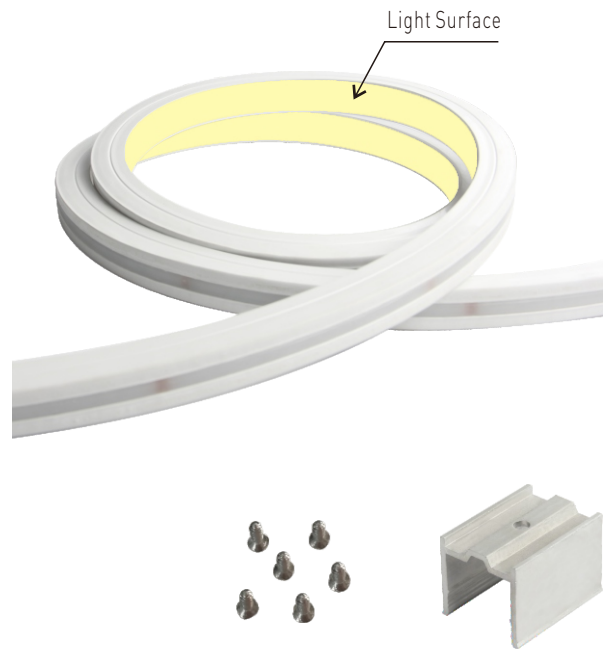
SMD5050, RGB60LED/Meter							
Model No.	Size(mm)	Color	Cut Every (LEDS)	LEDS/M	Lumen/M	Voltage	Power/M
N1020C-5050FRGB60D-24V	L5000*W10*H20	R	6	60	24	24V	14.4W
		G			51		
		B			13		

### 3) RGB+IC / N1020C-5050FRGB+IC60D-24V

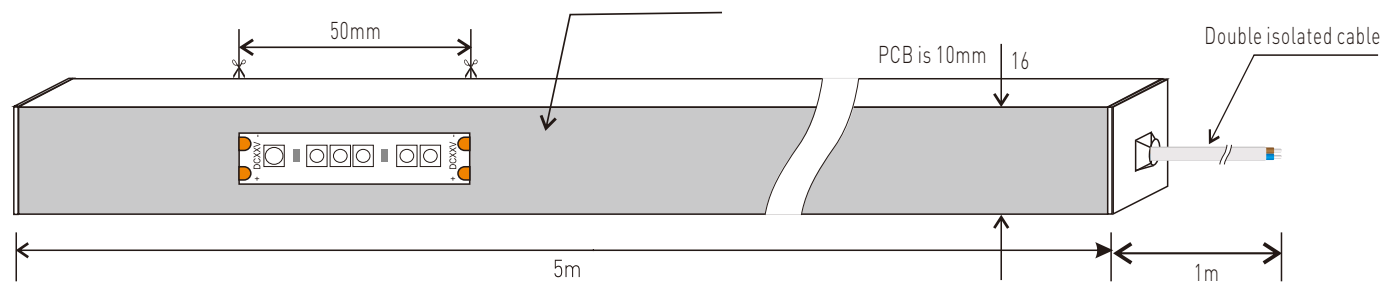
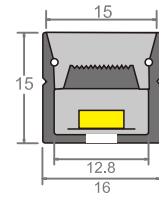


SMD5050, RGB+IC60LED/Meter							
Model No.	Size(mm)	Color	Cut Every (LEDS)	LEDS/M	Inlay IC	Voltage	Power/M
N1020C-5050FRGB+IC60D-24V	L5000*W10*H20	R	6	60	TM1914A	24V	13W
		G					
		B					

## N1615 LED Neon Light (Silicone Resin)



1. LED Type: 3528.
2. CRI: >80.
3. Easy Installation Mounting Bracket!
4. Long life span LED light, more than 50,000 hours+.
5. Operating temperature: -20~50°C.
6. 5M/10M/20M/30M per reel are available.
7. Dimmable by using dimmer controller or sensor switch.
8. IP67 waterproof.
9. Minimum bend radius 120mm.

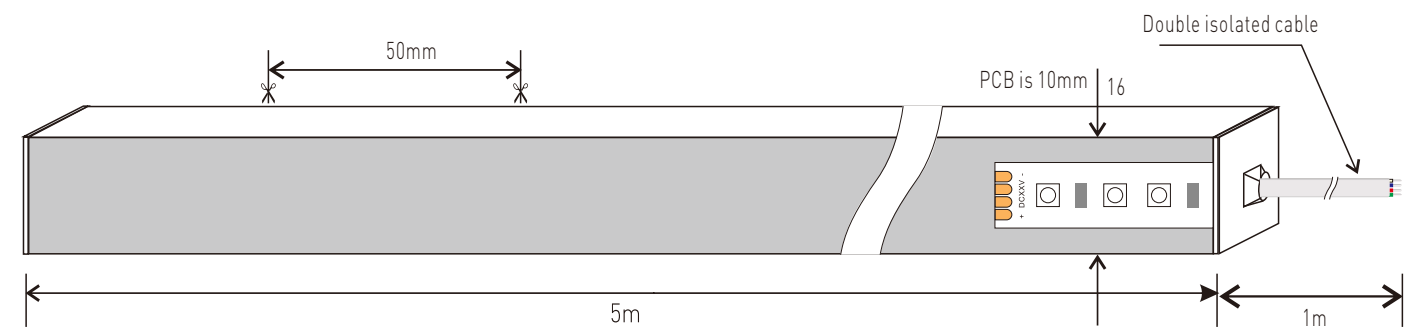
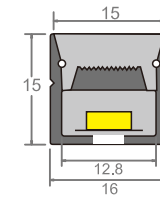


SMD3528, 120LED/Meter							
Model No.	Size(mm)	Color	Cut Every (LEDS)	LEDS/M	Lumen/M	Voltage	Power/M
N1615-3528FWW120D-24V	L5000*W16*H15	WW	6	120	192	24V	9.6W
N1615-3528FNW120D-24V		NW			216		
N1615-3528FCW120D-24V		CW			240		

## N1615 LED Neon Light (Silicone Resin)



1. LED Type: 4040.
2. Easy Installation Mounting Bracket!
3. Long life span LED light, more than 50,000 hours+.
4. Operating temperature: -20~50°C.
5. 5M/10M/20M/30M per reel are available.
6. Dimmable by using dimmer controller.
7. IP67 waterproof.
8. Minimum bend radius 120mm.



SMD4040, 120LED/Meter							
Model No.	Size(mm)	Color	Cut Every (LEDS)	LEDS/M	Lumen/M	Voltage	Power/M
N1615-4040FRGB120D-24V	L5000*W16*H15	R	6	120	39.6	24V	14.4W
		G			70.2		
		B			16.2		