

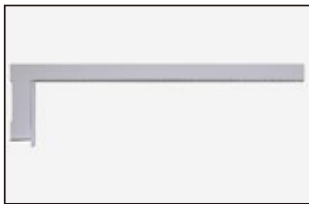
ITR001

Features:

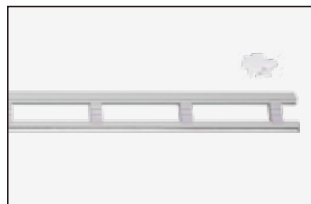
- The track is work with 12-24V power supply (customizable), which is convenient for installa an be connected to the power supply a er plugging in.
- This track design allows for flexible adjustment of each metal panel's position up and down according to specific needs, fully accommodating different storage requirements.
- Max weight to hold up to 30 kg.
- Color: White or Black



Accessories:



ITR001-POST
(1500/2000mm)



ITR001-HT



ITR001-AP(Max 8A)



ITR001-BR
(Length 300mm)



ITR001-HP(Max 2A)
Cable length 35mm.



ITR001-BAP



ITR001-SF
(Width 300mm
Length 900/1200mm)



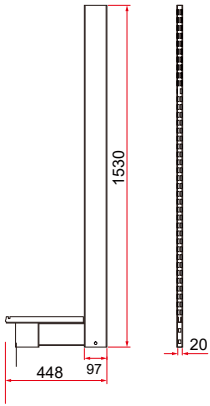
ITR001-BTP
(Width 350mm
Length 900/1200mm)



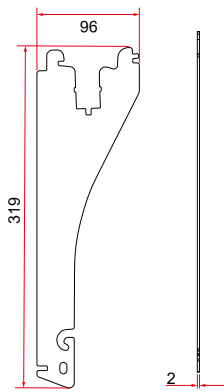
ITR001-FAP
(Length 900/1200mm)

Size:

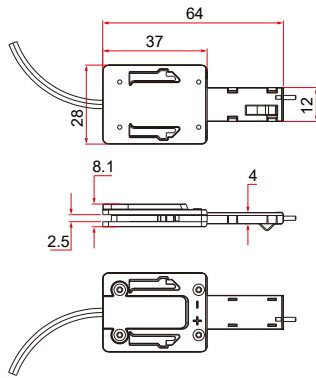
ITR001-POST



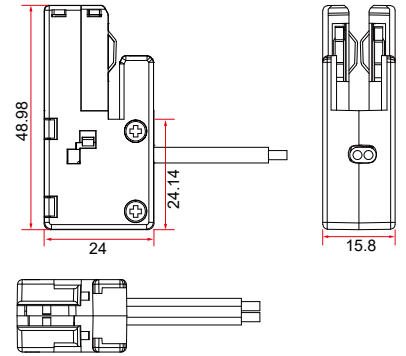
ITR001-BR



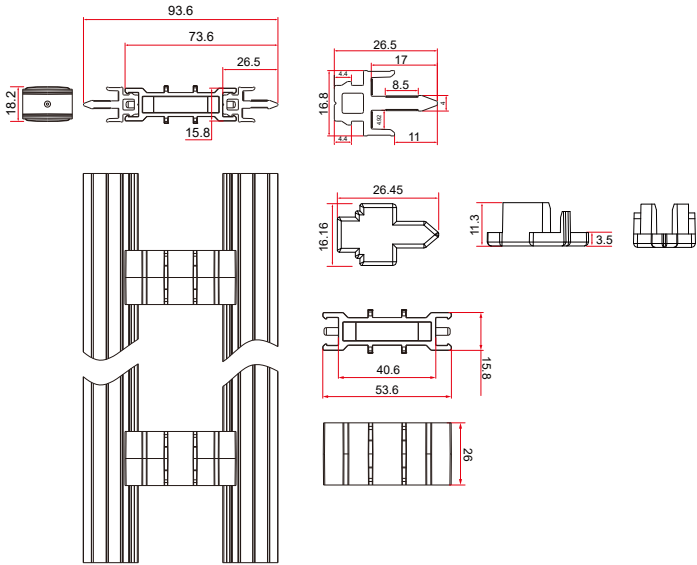
ITR001-HP



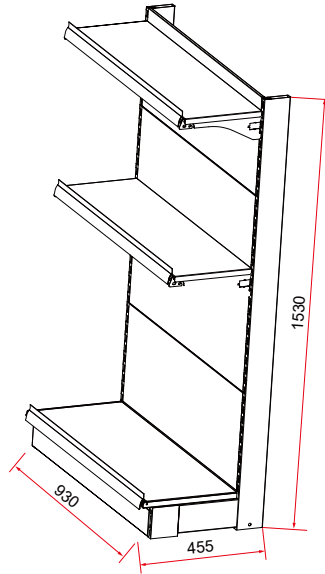
ITR001-AP



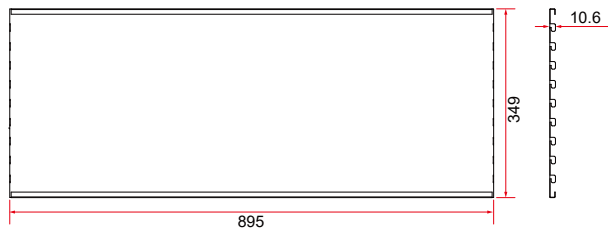
ITR001-HT



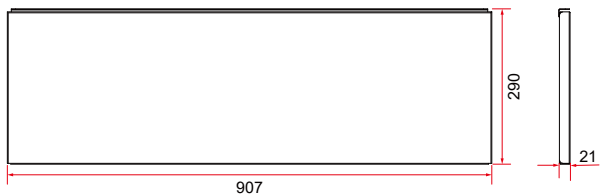
ITR001



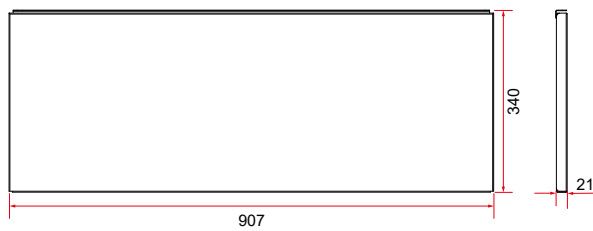
ITR001-BAP



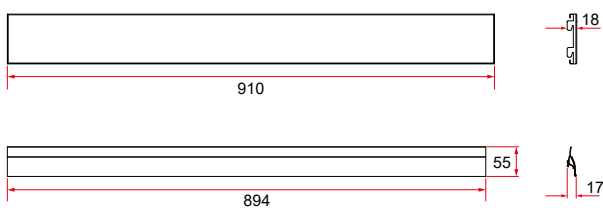
ITR001-SF



ITR001-BTP



ITR001-FAP



Product Diagram:

