



SurMountor



F1710

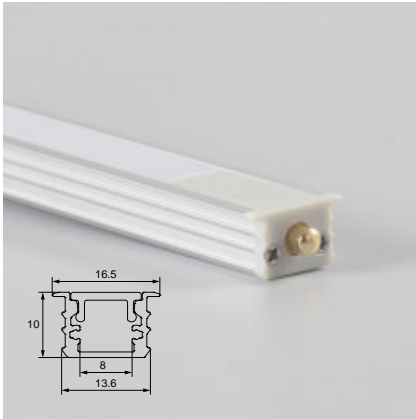
Wireless LED Shelf
Lighting System

Product specification

Lister: 莫彩英

Assessor: 

Approver: 



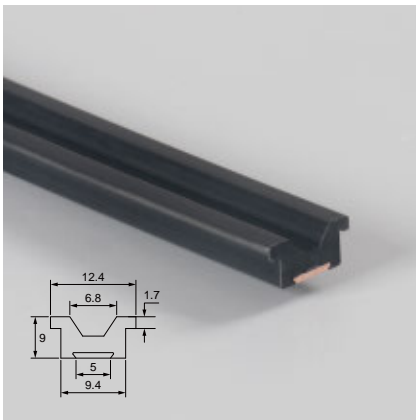
LED Aluminum profile F1710

- > Match flexible LED strips: Up to 6mm wide.
- > Material: anodized aluminum extrusion.
- > Cover: diffuse PC cover.
- > Length: 1m (can be customized).
- > Install: recessed mounting.



2835 Single color 160LED/METER

- > Input voltage: 12/24VDC.
- > Power: 9.6W/M.
- > CCT: 3000K/4000K/6000K
- > CRI: >90
- > Cutting length: 50mm.
- > Lumens: 1300-1400LM/M
- > Waterproof: IP20



F1710-power track

- > Material: PC and copper.
- > Continuous current: 10A.
- > Length: 1 meter(length can be customized).
- > Installation: inserted.



F1710-Power cable

- > Standard cable size(selectable): red&black wire #18AWG, double white wire #22AWG.
- > Length: 0.5M (length can be customized).
- > Continuous current: red&black wire: 6A, double white wire: 3A.
- > Double white wire connector: one end L813, one end high current POGOPIN.
- > Red&black wire connector: one end bare wire, one end high current POGOPIN.
- > L813 double wire: end with letter: V+, the other with stripes: V-
- > Red&black wire: red wire V+, black wire V-



Specification

| Model | Voltage | Watt | Lumen | CRI | Color Temperature | Model of LED Beads | Length (including endcaps) | Package |
|------------|---------|--------|-------|------|--------------------------|--------------------|----------------------------|---|
| F1710-1000 | 12VDC | 9.6W/M | 620 | > 90 | 3000K 4000K/ 6000K | 2835 | 1004mm | 0.5M power cable(length can be customized). Power track 2pcs (Length can be customized). 4pcs mounting screw. |
| | | | 650 | | | | | |
| | | | 630 | | | | | |
| F1710-1000 | 24VDC | 9.6W/M | 620 | | | | | |
| | | | 650 | | | | | |
| | | | 630 | | | | | |

Product Features

- > The System allows lighting to be easily assembled into adjustable and fixed shelving in closets and cabinetry without complicated cable management.
- > The height of adjustable shelves can be easily changed without concern of wiring connections.
- > Designed for efficient manufacturing and installation.

Accessories

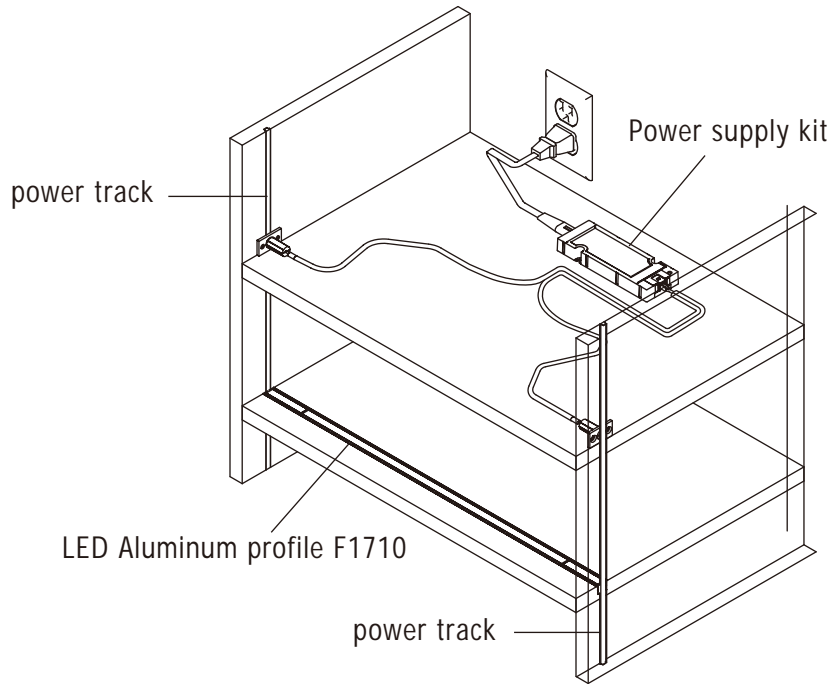
1m (length can be customized)



0.5m connecting wire (Lengt can be customized)

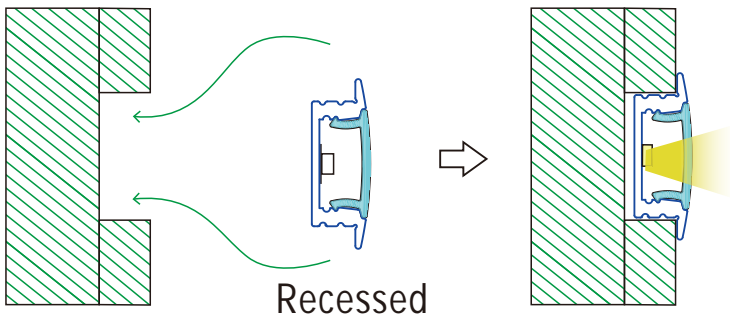
How to install:

Inverted view



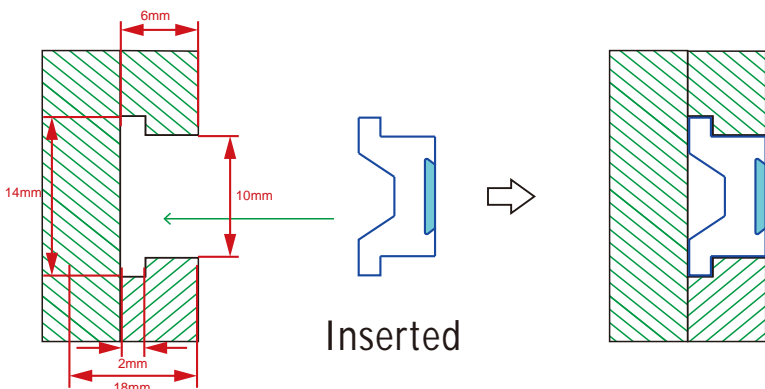
Installation of shelf light bar-F1710

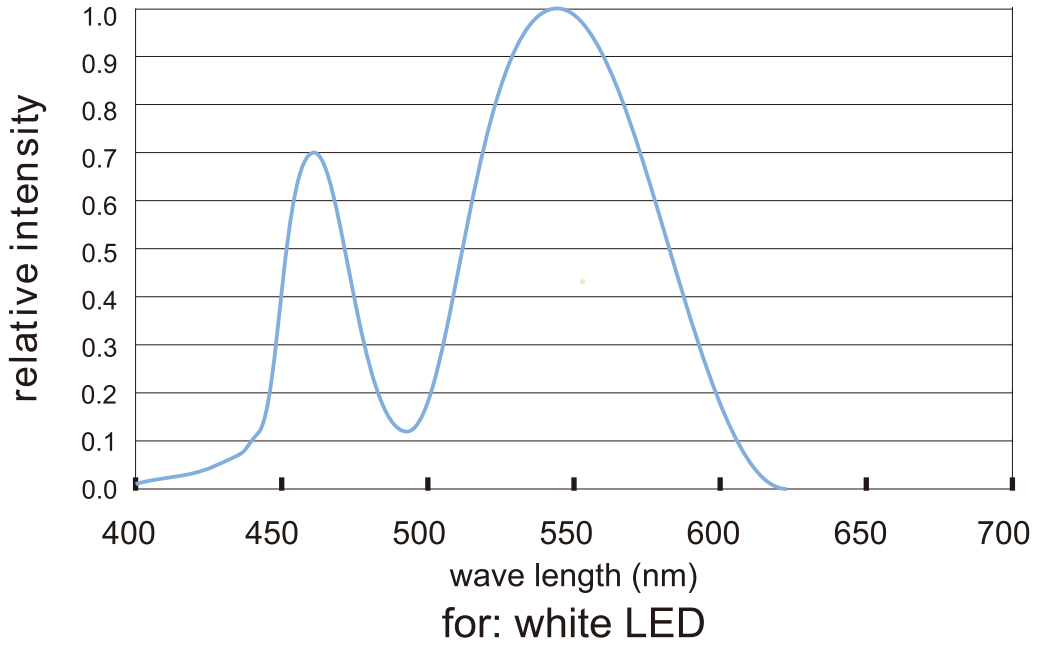
Cut a groove on the shelf board, Width 13.5mm, depth 10mm. Directly recess the light bar into the board



Installation of power track-F1710

Cut a T shaped groove on both sides of the cabinet or shelf, Width 14mm, Height 6mm. Then vertically insert the power track into the groove on the board





Radiation diagram

