



SurMountor



Ceiling -D95 & D180

Ultra-thin waterproof ceiling light

Product specification

Lister: 莫彩英

Assessor: 张明

Approver: 李春

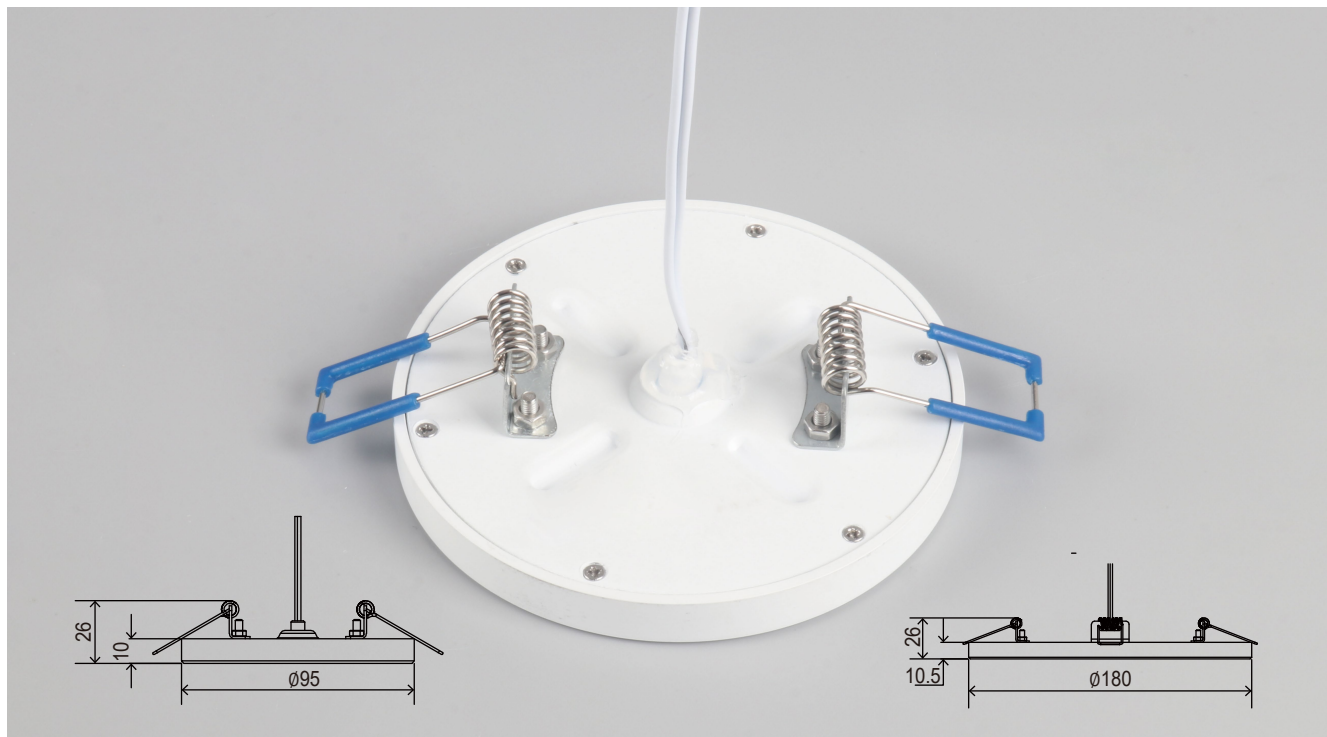
Characteristic:

There are two mounting ways: spring clip mounting and screw mounting. IP65 water proof design. Ultra-thin design, suitable for bath room, ship, furniture, room, ceiling and hanging lighting. Long-life LED lights, more than 50,000 hours +. The light is separated from the power cord and is easy to install, disassemble and replace. A large amount of aluminum provides good heat dissipation for high-power led chips.

Specifications:

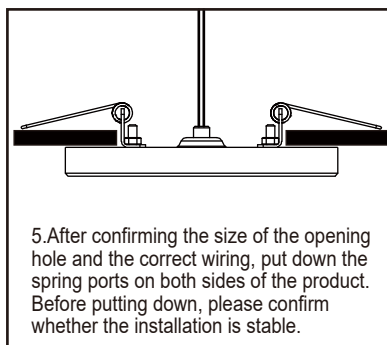
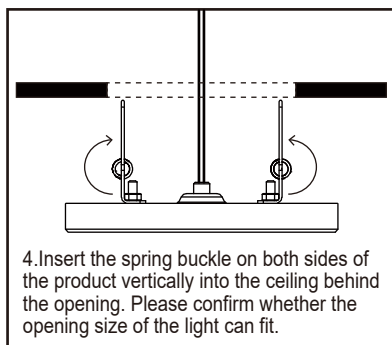
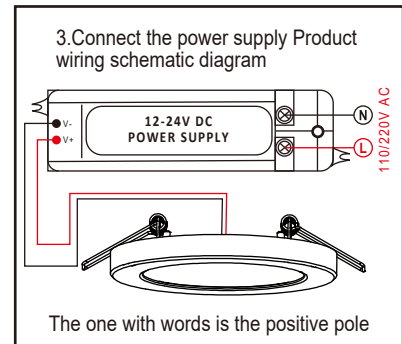
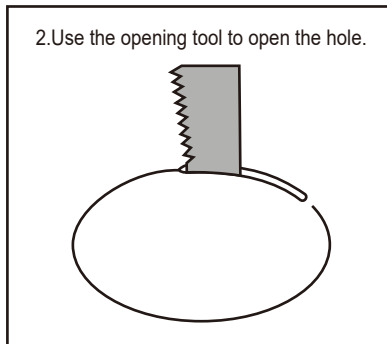
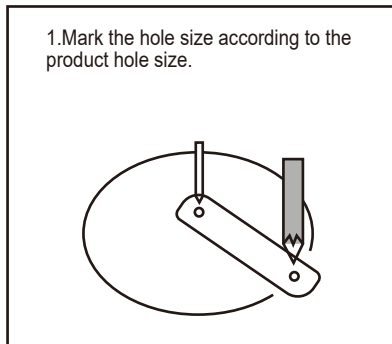
D95-LED Profile with LED							
Wattage	Lumens	Ra	CCT(K)	Diameter	Voltage	LED Type	opening hole size
3.6W	170	>80	3000K	95*10mm	DC12V/24V	SMD-2214-48LED	Screw mounting hole: diameter 30mm Spring Clip mounting hole: diameter 70mm
3.6W	180	>80	4000K	95*10mm	DC12V/24V	SMD-2214-48LED	
3.6W	175	>80	6500K	95*10mm	DC12V/24V	SMD-2214-48LED	

D180-LED Profile with LED							
Wattage	Lumens	Ra	CCT(K)	Diameter	Voltage	LED Type	opening hole size
9.6W	410	>80	3000K	180*10.5mm	DC12V/24V	SMD-2214-96LED	Screw mounting hole: diameter 30mm Spring Clip mounting hole: diameter 70mm
9.6W	430	>80	4000K	180*10.5mm	DC12V/24V	SMD-2214-96LED	
9.6W	420	>80	6500K	180*10.5mm	DC12V/24V	SMD-2214-96LED	

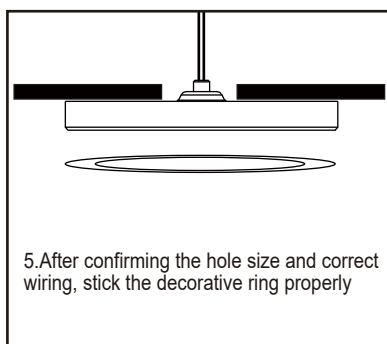
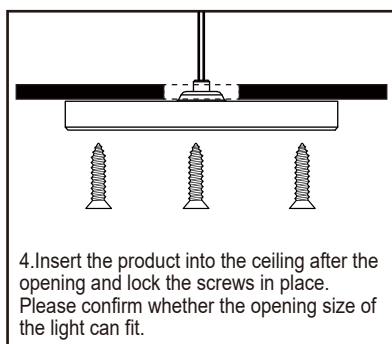
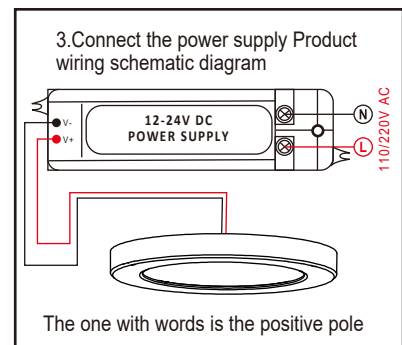
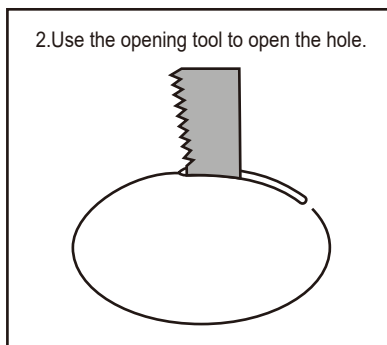
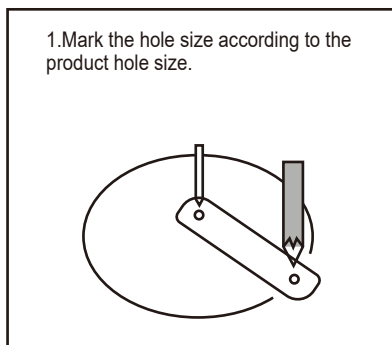


Installation steps:

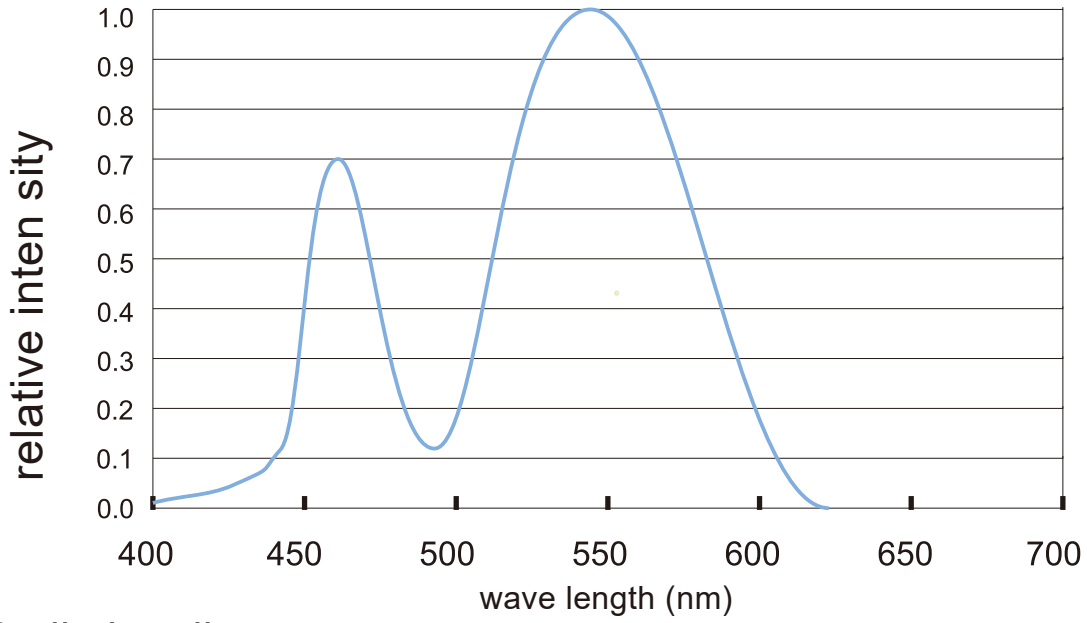
1.Steps for installing spring clips



2.Steps for installing Screws



Note: When connecting the cable, read the label on the cable.



Radiation diagram

