

SUR-SR2835FW80D-24V

FLEXIBLE STRIP INTRODUCTION

Product specification

Lister: 精奇

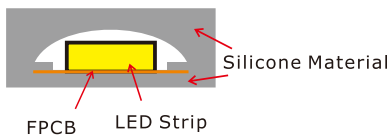
Assessor: 张明

Approver: 李春

Features:

- Sauna strip light, complements any sauna, high-temperature and high-humidity resistant; Maximum ambient temperature of 90°C, and maximum relative humidity of 85%; Very bright & low power consumption.
- CRI80 LED Strip are available.
- Long life span LED lights, more than 50,000 hours+.
- Waterproof, IP67.

IP67 Silicone Extrusion Moding:



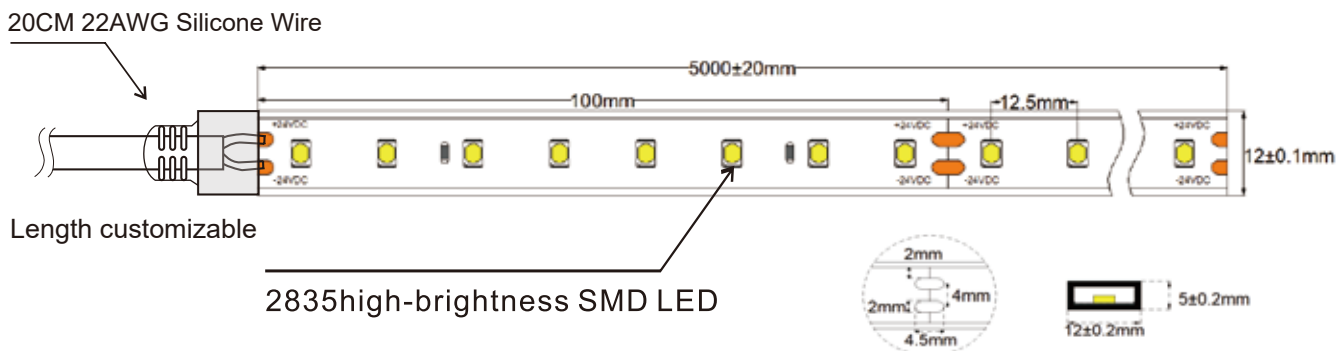
Applications:

- Steam Room and Sauna Room.






Assembly drawing:

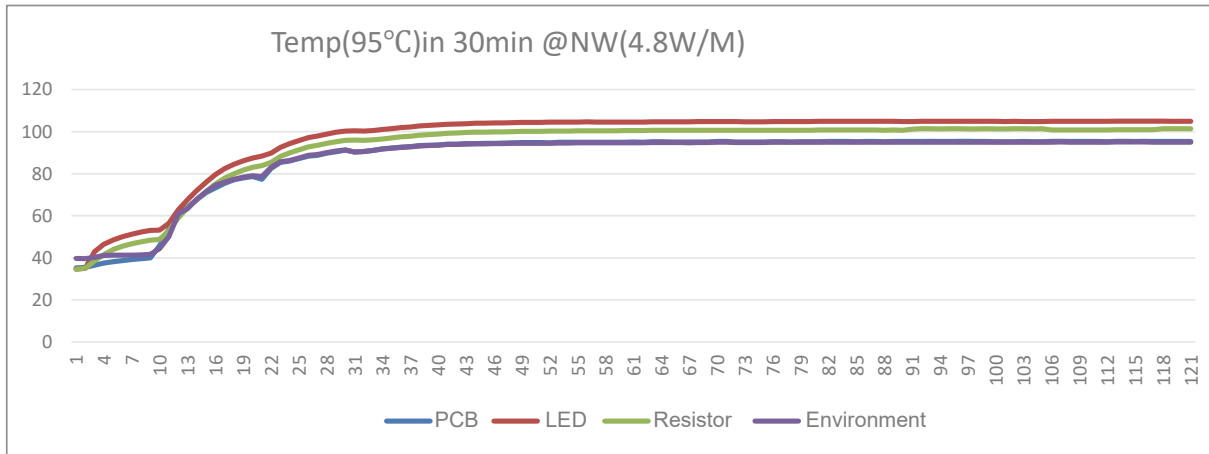
Top View



Parameter:

SMD2835, 80LEDS/M									
Part Number	Color	Lumen/M CRI 80	Unit cut	Unit cut (LEDS)	LED (Qty/M)	Voltage	Power/M	Operating Temperature	Max run length
SUR-SR2835FW80D-24V	WW 	624	100mm	8	80	24V	4.8W/M	-20°C – 90°C	5 Meters/Reel
	NW 	648							
	CW 	672							

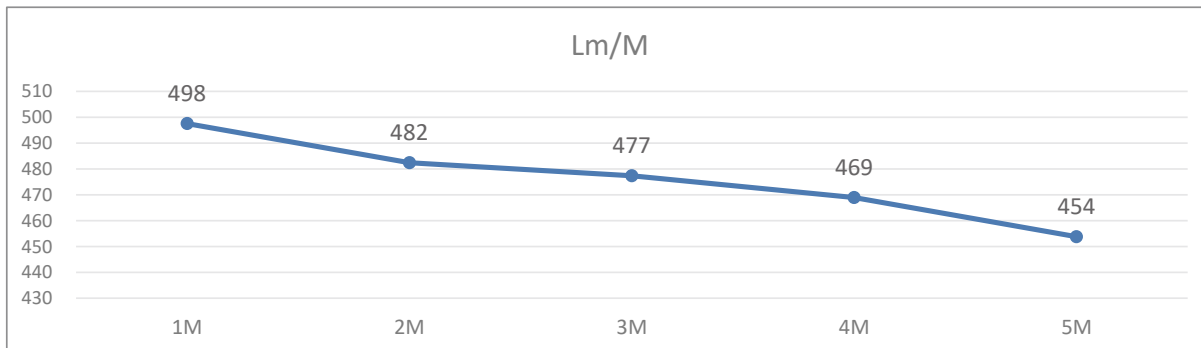
Temperature Curve



The above curves indicate the temp. changing in LED, resistor & PCB within 120 minutes after powering on, under the ambient temperature of 95°C.

Brightness Consistency

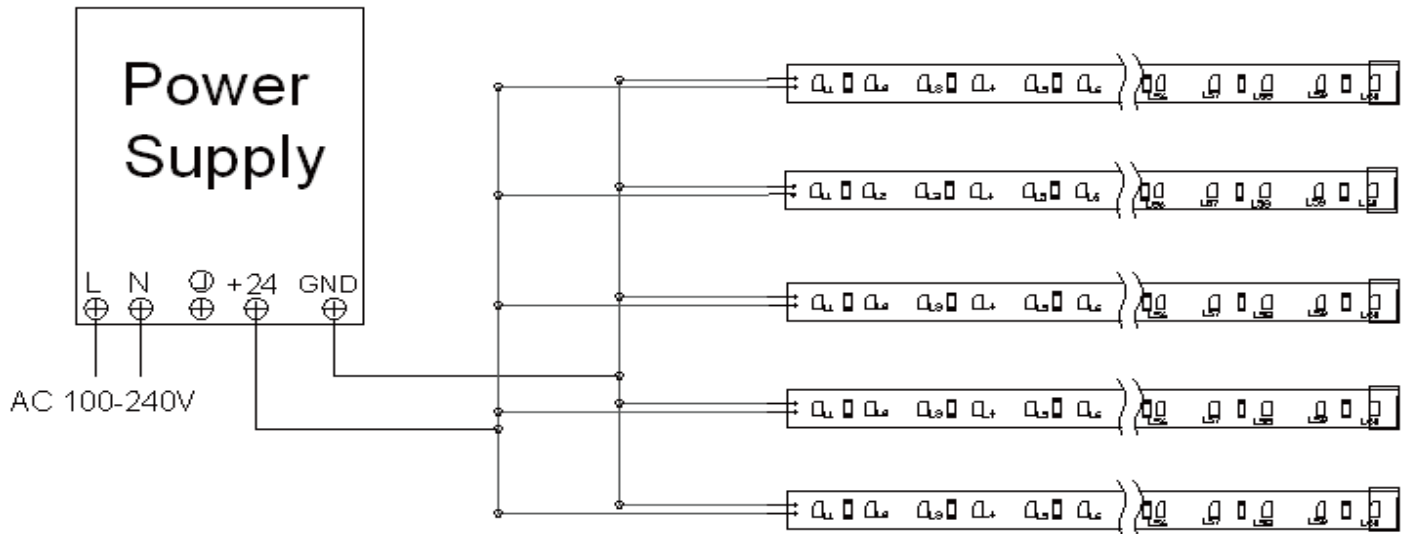
The following charts shows the parameters on each meter based on 5M length.



From above chart, please connect 5M at most by one-end power to keep brightness consistency.



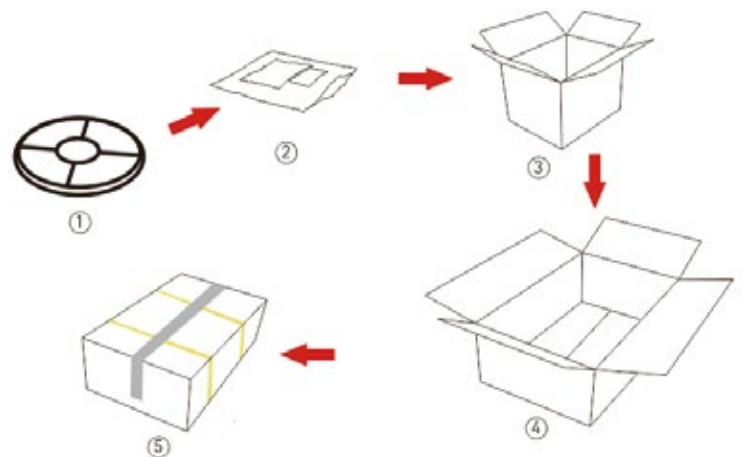
Installation Ways



- Make sure of the total watts of LED Strip lights is less than 80% of the power supply's max output
- Pay attention to the polarity when connecting: red is positive and black is negative.

Package

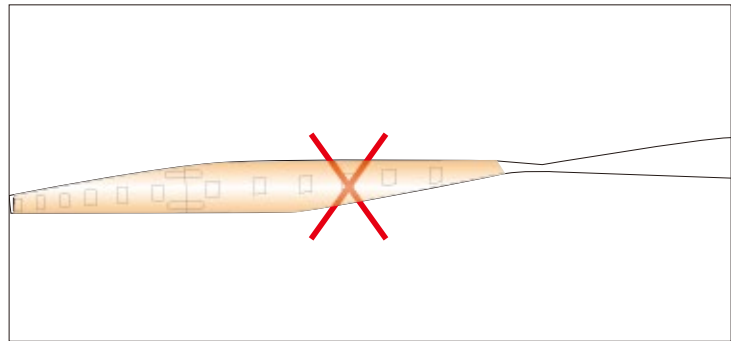
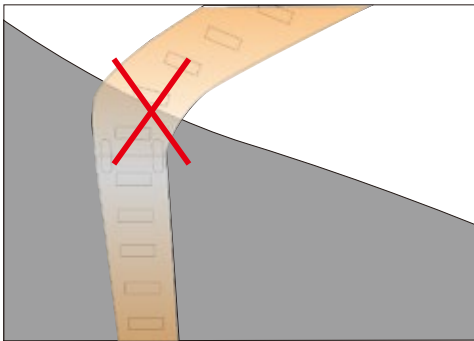
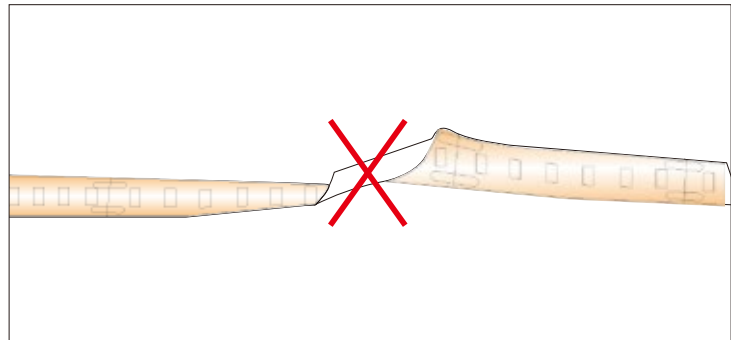
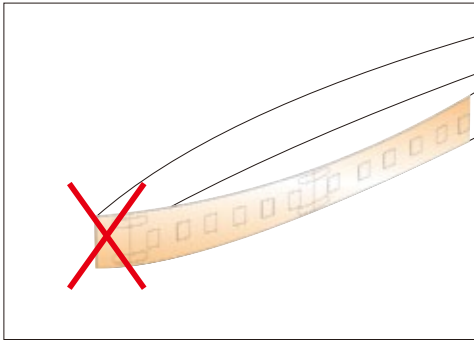
- (1) 5 meters per roll.
- (2) Pack each roll with anti-static bags, and label on it.
- (3) Put 25 rolls into a inner box (32*25*26 cm).
- (4) Put 2 inner boxes into master box (51*34*29cm)



Cautions:

When install the led strip, please note the installation technique. The led strip can be bent, but not distorted, as shown below:

Distortion(Wrong)



Bend (Right)

