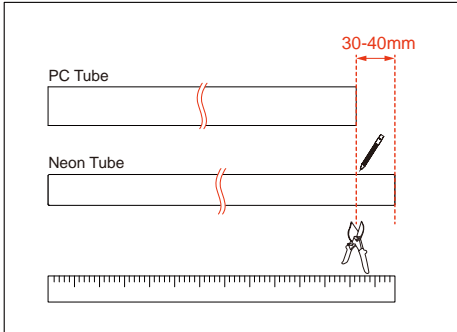
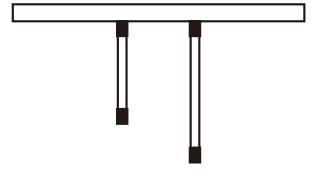
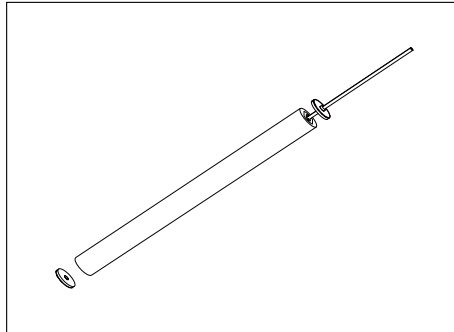


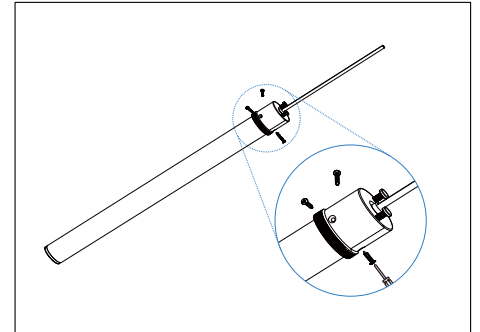
AS-ND24D-A (Vertical ceiling) Installation Steps



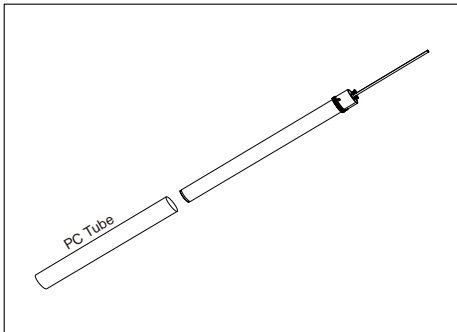
1 Attention: length of PC Tube should be 30-40mm less than Neon Tube



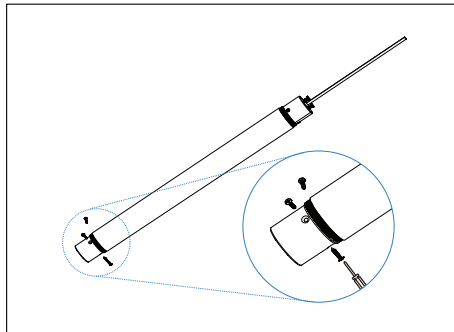
2 Seal endcaps on both sides with glue



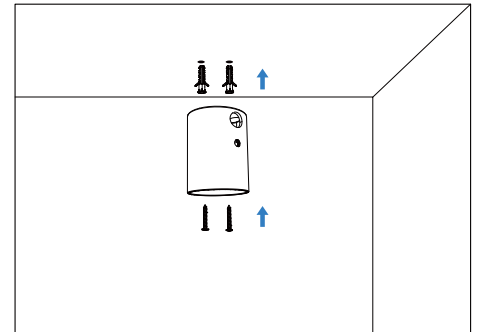
3 Fix metal outer endcaps by screws in wire side



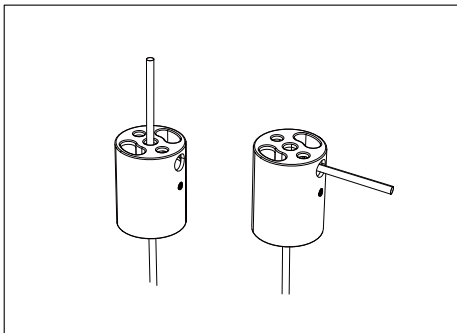
4 Put the matching PC tube



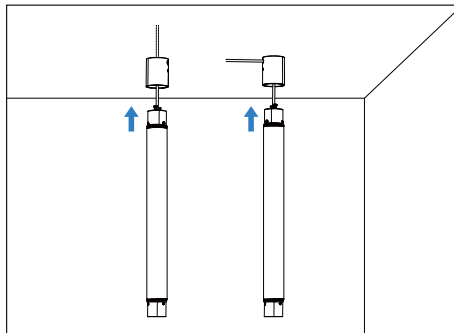
5 Fix tightly with metal endcaps on other side by screws



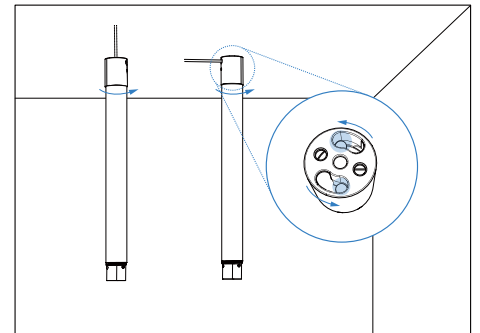
6 Fix the ceiling metal head by screws in ceiling



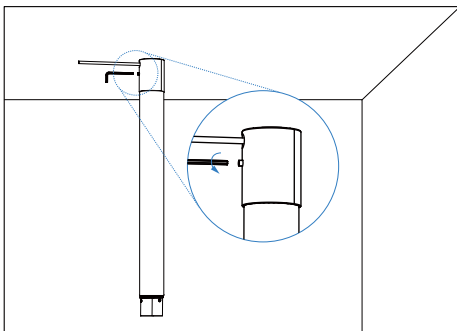
7 Optional vertical or lateral installation of the ceiling head



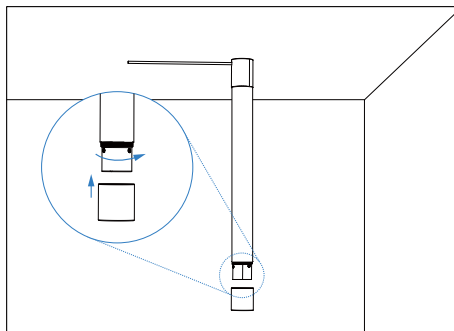
8 Put the finished product into fixed ceiling head



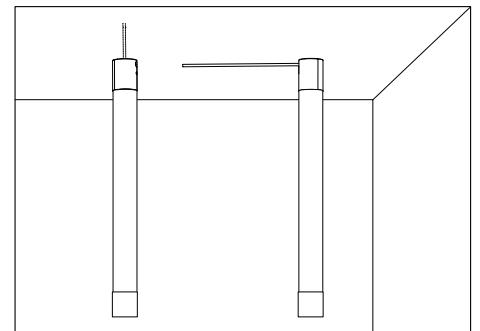
9 Spin the tube to completely match for the inner clasp to avoid product falling off



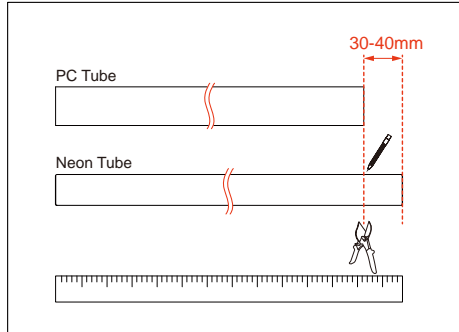
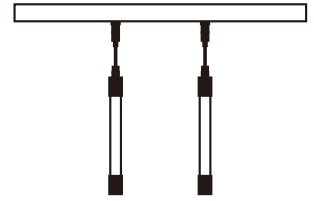
10 Tighten the screws



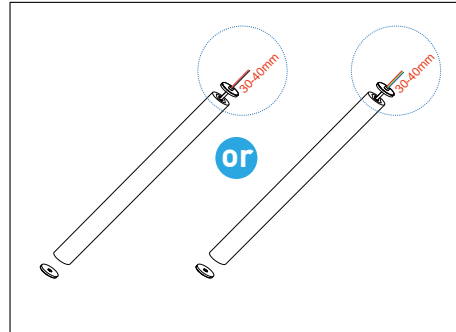
11 Spin metal endcaps on button to be attached firmly



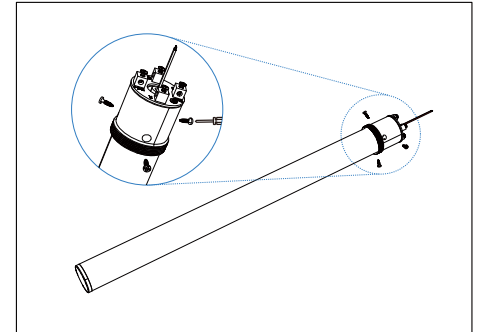
AS-ND24D-B (Vertical hoisting) Installation Steps



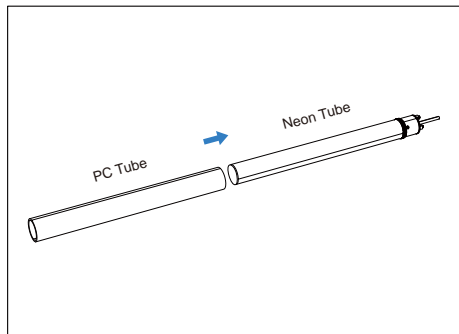
1 Attention: length of PC Tube should be 30-40mm less than Neon Tube



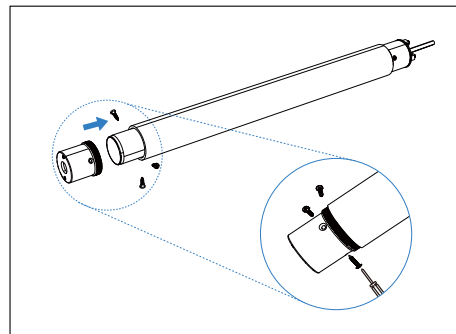
2 Insatllation is easier with 30~40mm 2P cable



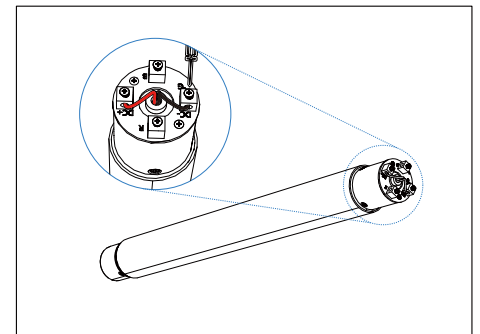
3 Fix accessory into the tube by screws



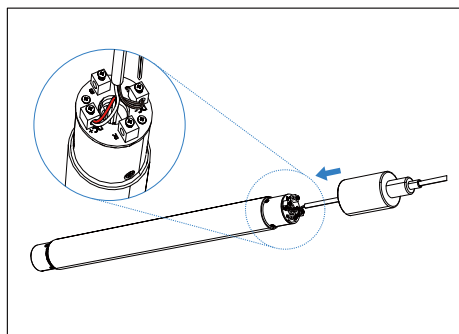
4 Put the matching PC tube



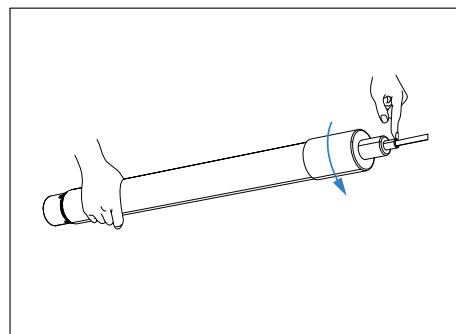
5 Fix tightly with metal encaps on other side by screws



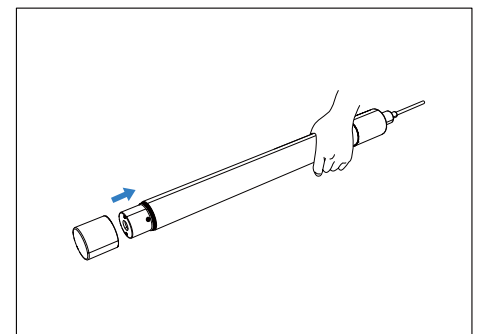
6 Peel the cable and put them through current pole holes



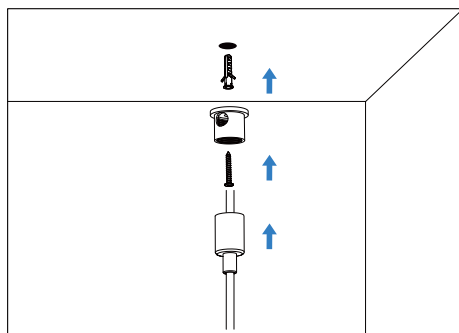
7 Peel the cable and put them through current pole holes



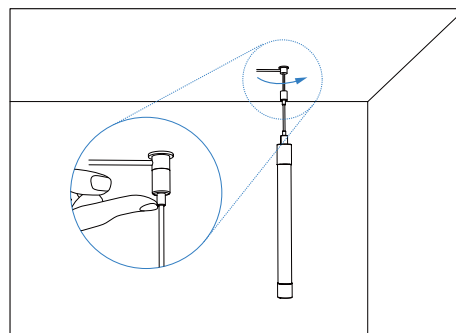
8 Press the elastic head to the lowest and spin the tube in



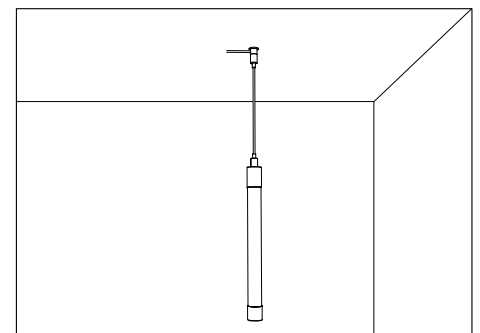
9 Spin the button endcaps to firmly attach to the tube



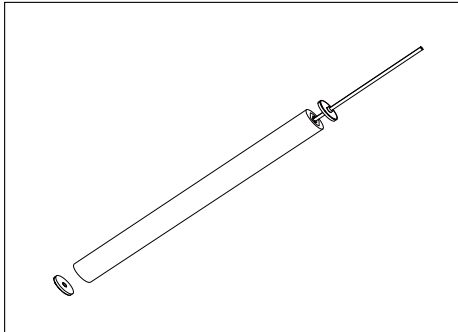
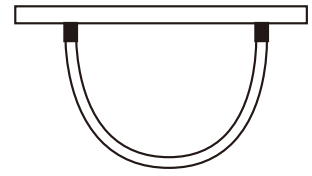
10 Take apart the wire locker and put the cable through the head



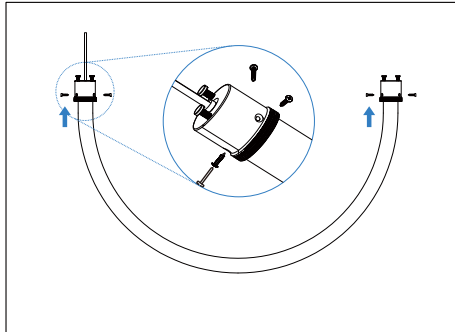
11 Fix the top of wire locker to ceiling by screws and tighten accessories after putting through out the cable



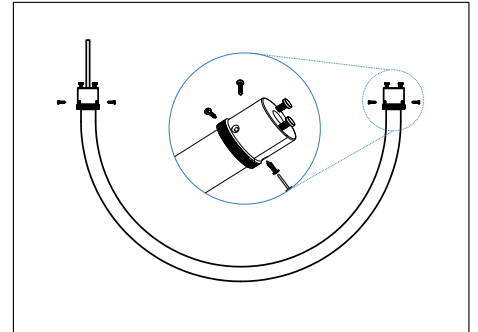
AS-ND24D-C (Double-head ceiling) Installation Steps



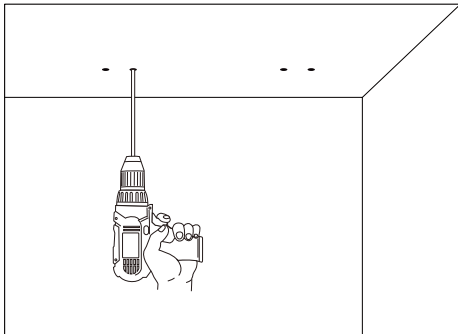
1 Product picture



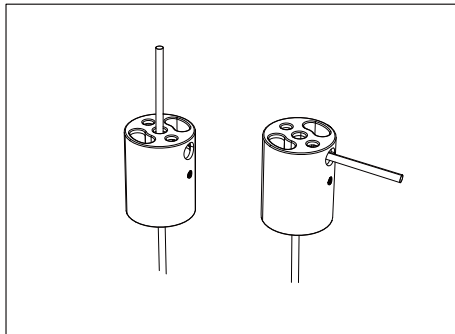
2 Put accessories into the tube and fix with screws



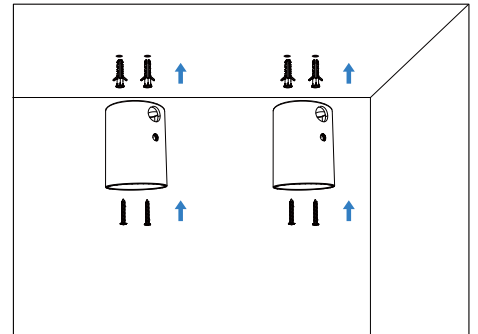
3 Put accessories into the tube and fix with screws



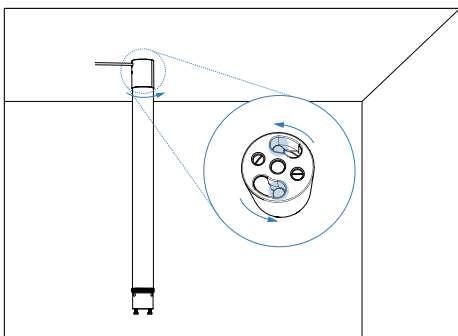
4 Drill in specific mounting placement



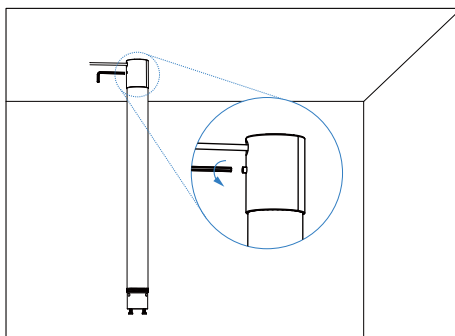
5 Optional vertical or lateral installation of the ceiling head



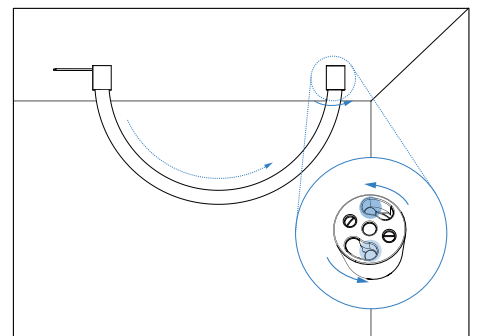
6 Fix the ceiling metal head by screws in ceiling



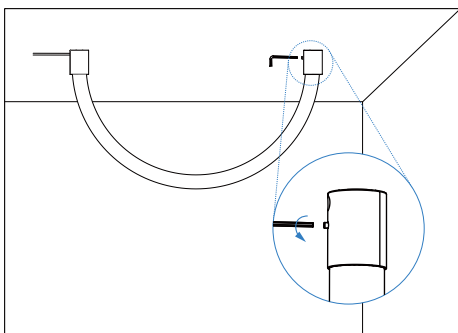
7 Spin the tube to completely match for the inner clasp to avoid product falling off



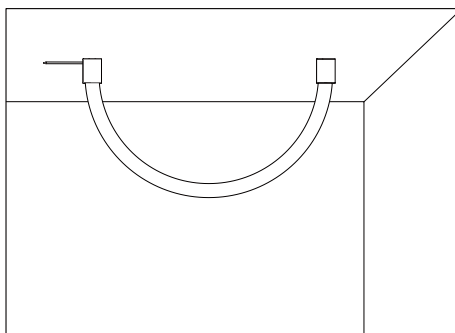
8 Tighten the screws



9 Spin the tube to completely match for the inner clasp to avoid product falling off

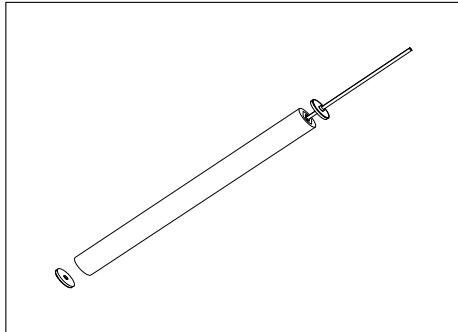
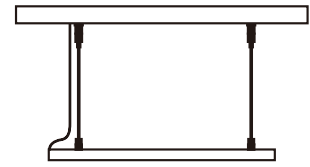


10 Tighten the screws

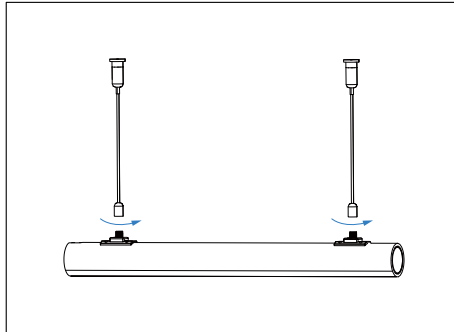


11

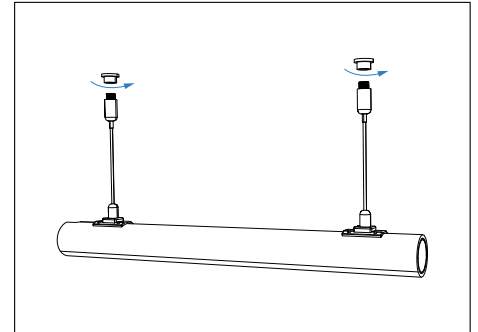
AS-ND24D-D (Horizontal hoisting) Installation Steps



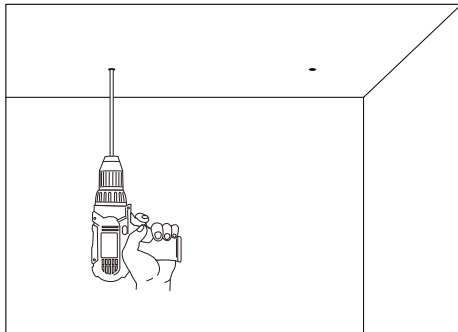
1 Product picture



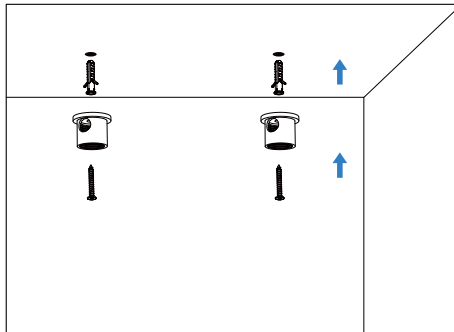
2 Spin to the limit



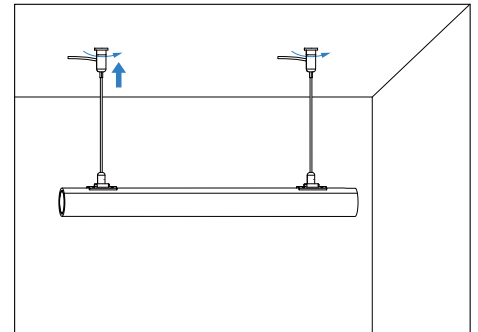
3 Take apart the head of wire locker



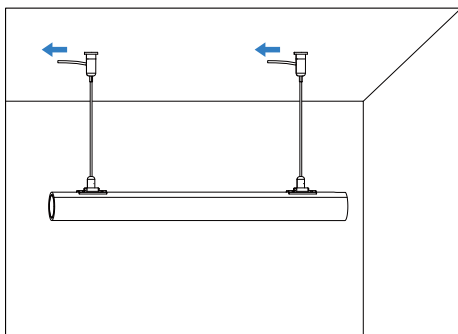
4 Drill in specific mounting placement



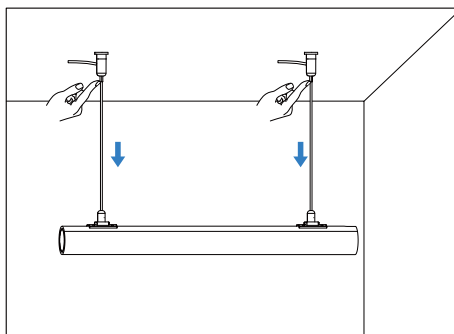
5 Fix the separate wire locker in ceiling



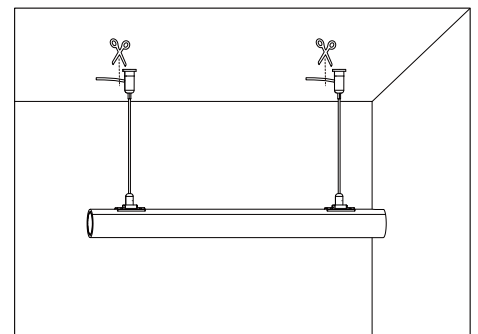
6 Spin upwards to the limit



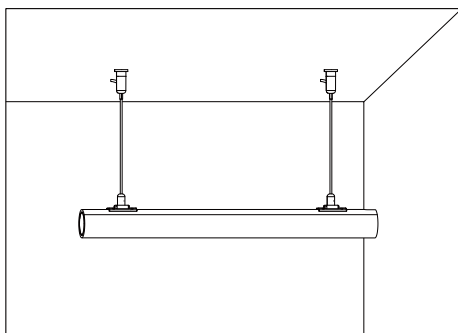
7 Pull the steel rope to adjust the height



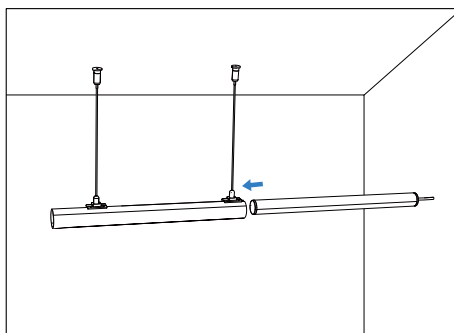
8 Press the elastic head and pull downwards to readjust the height



9 Cut off the exposed steel rope

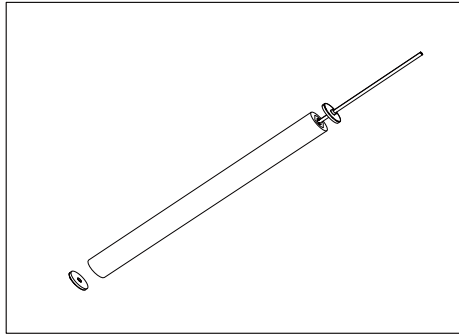
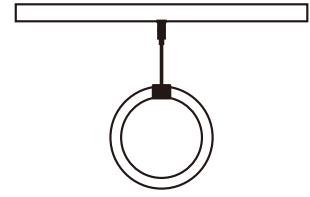


10 Picture of finished product after installation

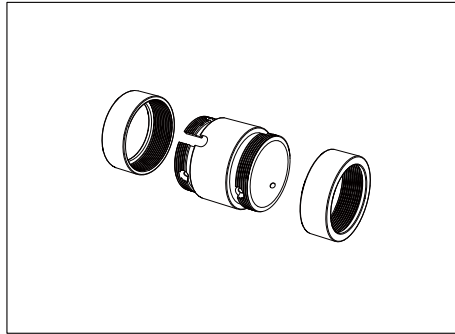


11 Put the tube into finished accessories

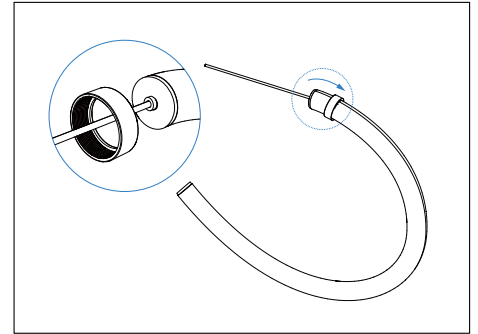
AS-ND24D-E (Round hoisting) Installation Steps



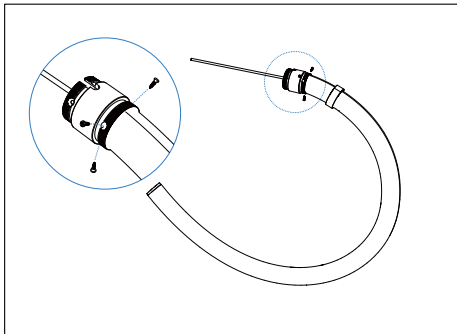
1 Product picture



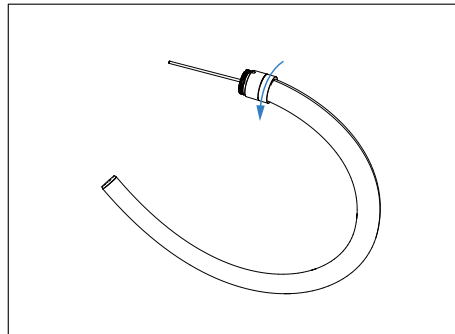
2 Spin to the limit



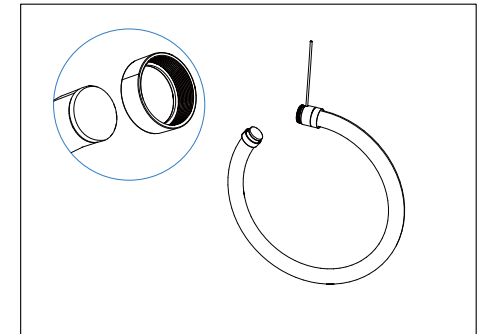
3 Put the small accessory into the tube



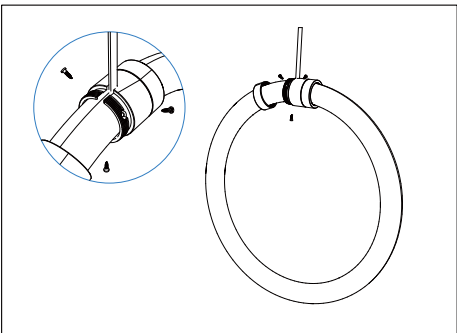
4 Put the accessory into the tube according to direction as picture and tighten them



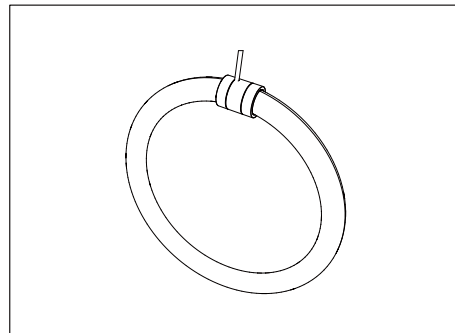
5 Lock small pieces firmly into the main accessories



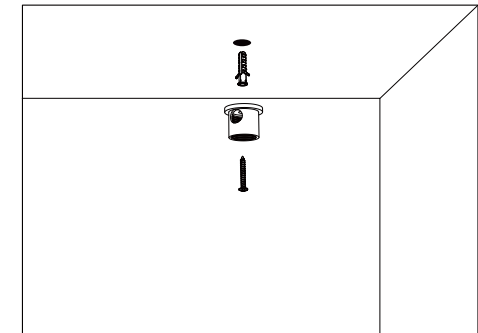
6 Put the small pieces into other side



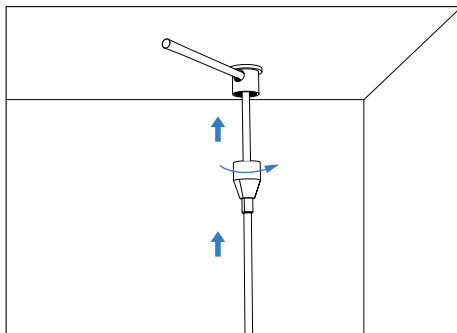
7 Plug the cable into wire hole and lock it



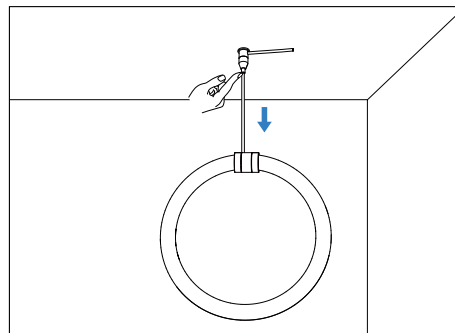
8 Tighten small piece of another side into main accessory



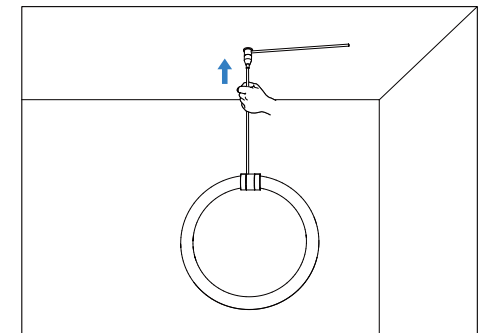
9 Take apart the wire locker and install in ceiling



10 Put the cable through holes one by one

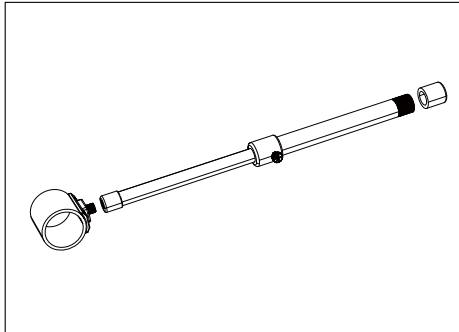
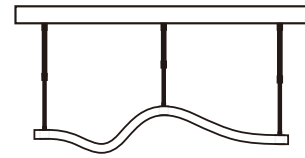


11 Press the elastic head and pull downwards to adjust the height

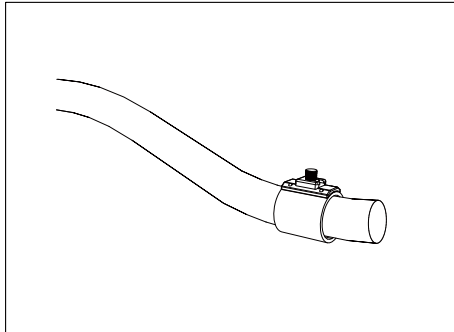


12 Press the elastic head and pull upwards to lock it

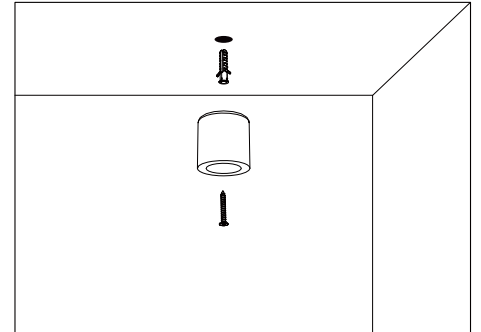
AS-ND24D-F (Telescopic rod ceiling) Installation Steps



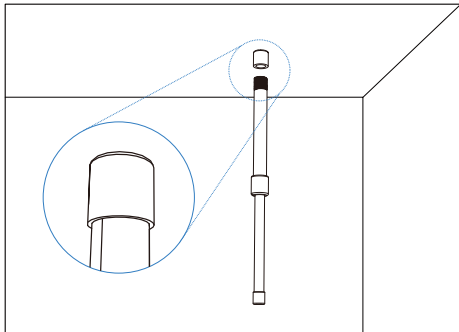
1 Accessories picture



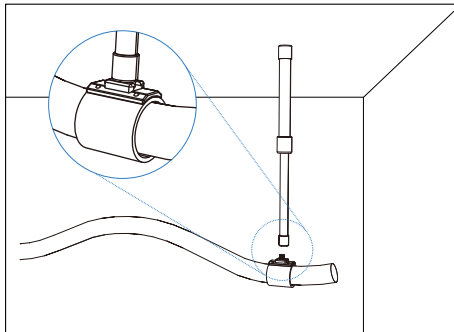
2 Put the PC accessory into the tube



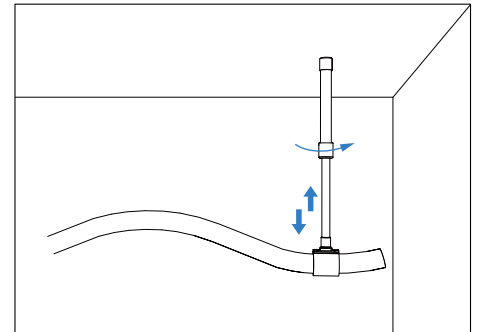
3 Fix accessory as picture in installation placement



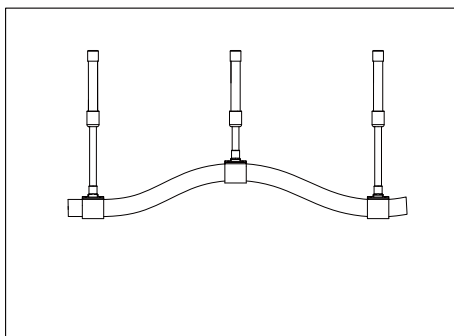
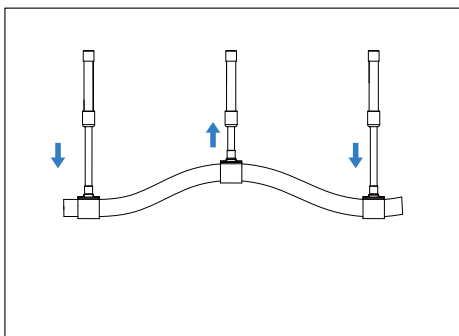
4 Spin the telescopic rod into ceiling accessory



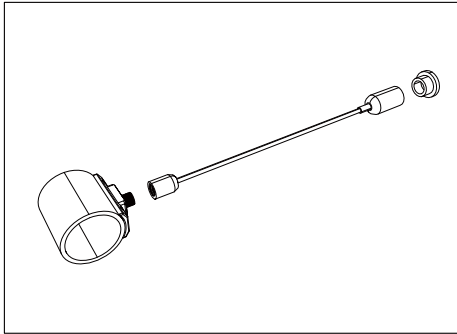
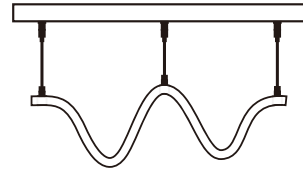
5 Move PC accessory under the telescopic rod and connecting



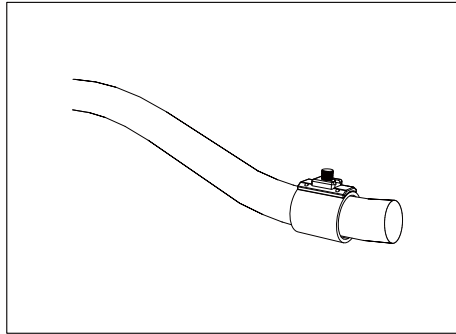
6 Spin the middle part to lock after adjusting the height



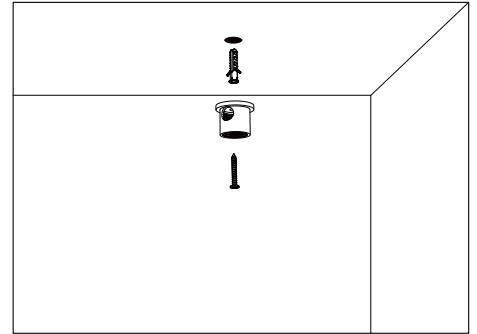
AS-ND24D-G (Steel Rope Ceiling) Installation Steps



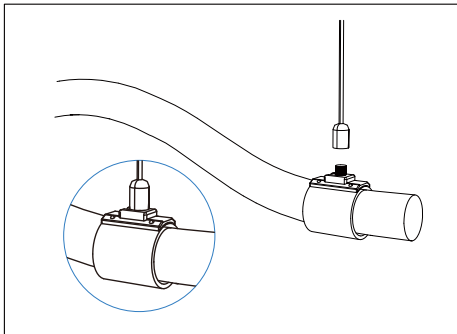
1 Accessory picture



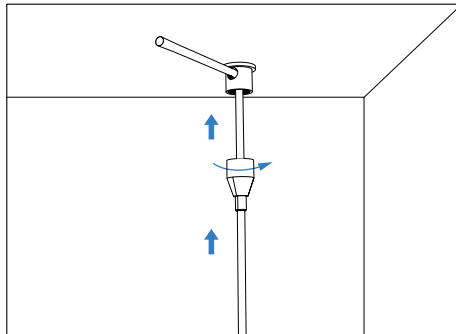
2 Put the PC accessory into the tube



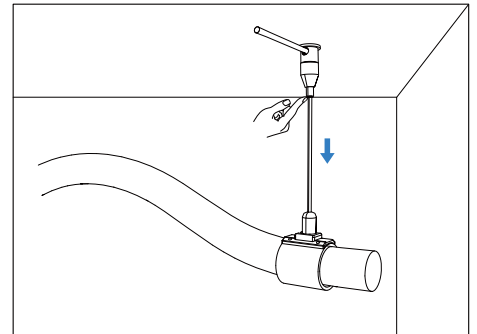
3 Fix accessory as picture in installation placement



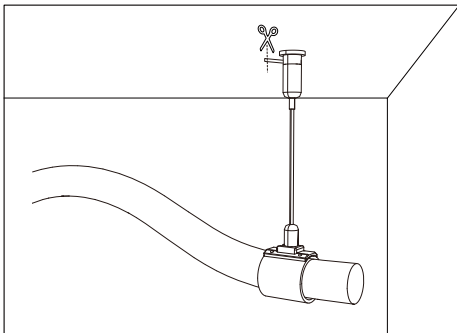
4 Move PC accessory under the telescopic rod and connecting



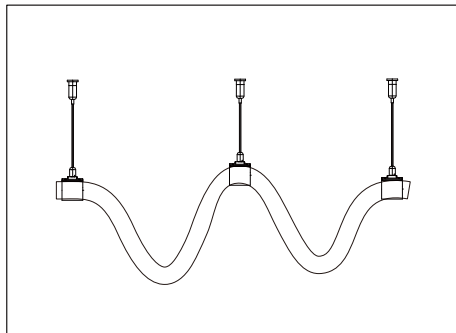
5 Spin the telescopic rod into ceiling accessory



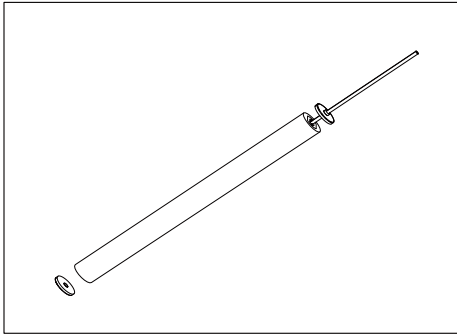
6 Press the elastic head and pull downwards to readjust the height



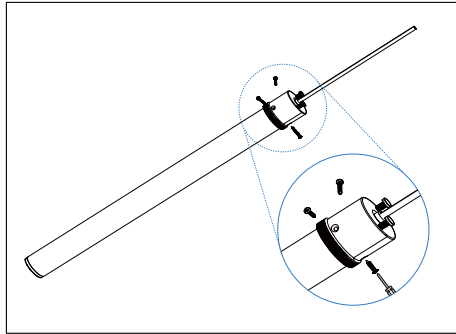
7 Cut off the exposed steel rope



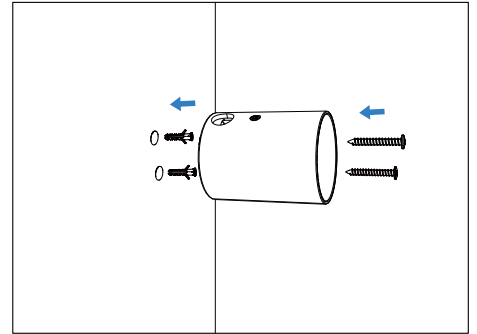
AS-ND24D-H (Wall Mounting) Installation Steps



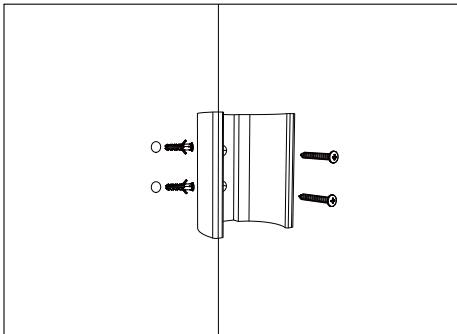
1 Product picture



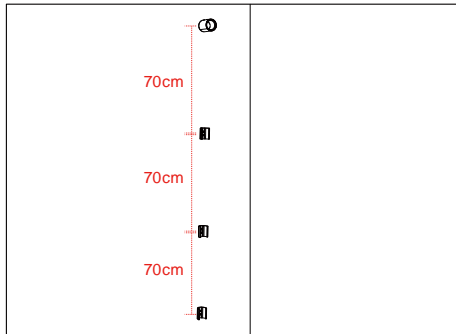
2 Put accessories into the tube and fix with screws



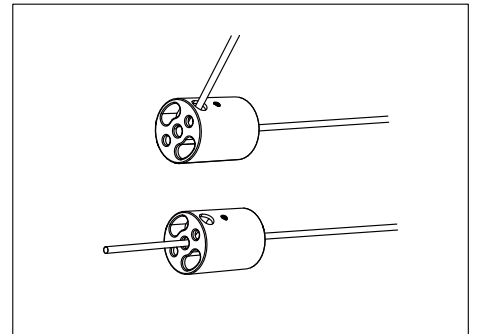
3 Fix accessory as picture in installation placement



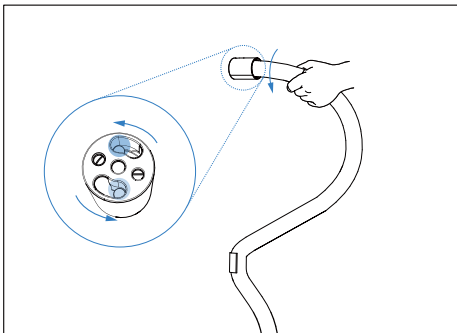
4 Install mounting clips



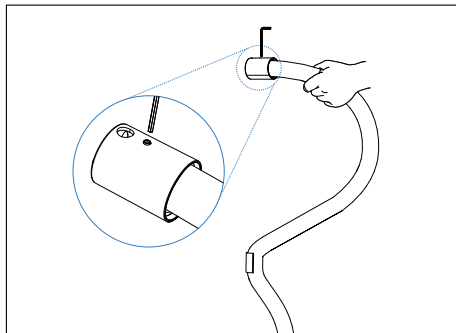
5 The minimum distance between mounting clips



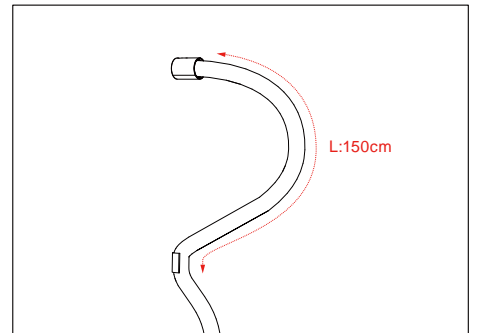
6 Optional vertical or lateral installation of the ceiling head



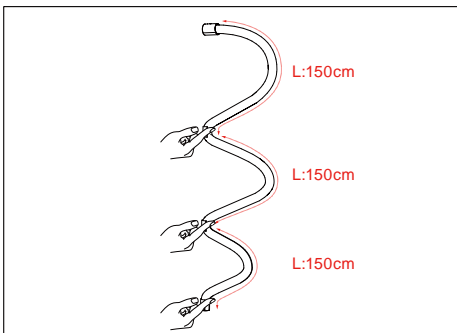
7 Put the tube into installed accessory



8 Tighten accessory and tube with screws



9 Press the tube into mounting clips from top to botom



10 Put the tube into installed accessory at the botom

