



## Line Light Series-CLD1010

Seamless connection | detachable connection

Product specification

Lister: \_\_\_\_\_

Assessor: \_\_\_\_\_

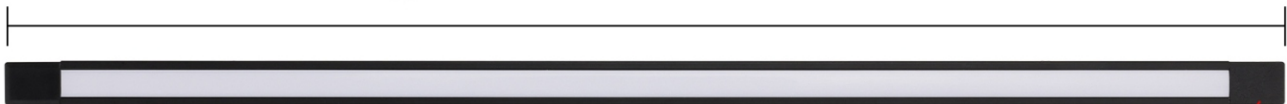
Approver: \_\_\_\_\_

## Specification

Model	Voltage	Watt	Lumen	CRI	Color Temperature	Model of LED Beads	Length (including endcaps)	Package	Recommend Groove Length
CLD1010-413MM-12V	12VDC	3.4W	110-125LM	>80	3000K/ 4000K/ 6000K	SMD2835	413mm	A light bar.Two end caps. Two mounting clips. A power connector (wire length 2m). Frosted PC Cover.	400mm
CLD1010-663MM-12V		5.6W	180-210LM				663mm		650mm
CLD1010-863MM-12V		7.4W	240-275LM				863mm		850mm
CLD1010-1063MM-12V		9.2W	300-340LM				1063mm		1050mm
CLD1010-1263MM-12V		11.0W	355-405LM				1263mm		1250mm
CLD1010-1563MM-12V		13.7W	445-505LM				1563mm		1550mm

## Accessories

length can be customized



2m connecting wire



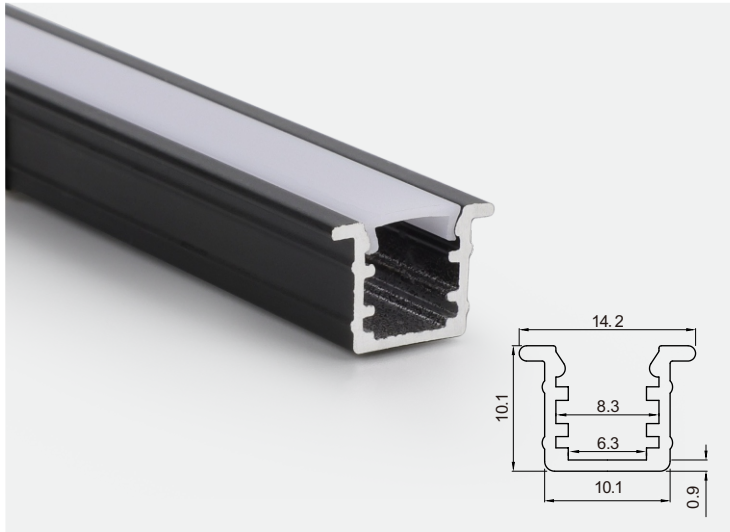


## Product Features

- The LED Light is easy to install to wardrobe or shelf with mounting clip accessories. New design with separation of light bar and power wire, easy to install, remove and replace. With modern design, it is suitable for cabinet / furniture / room / ceiling hanging lighting etc. Substantial aluminum mass provide good heat sink for high power leds. It's perfect for seamless connection, no dark space.



## Structure & Spec.

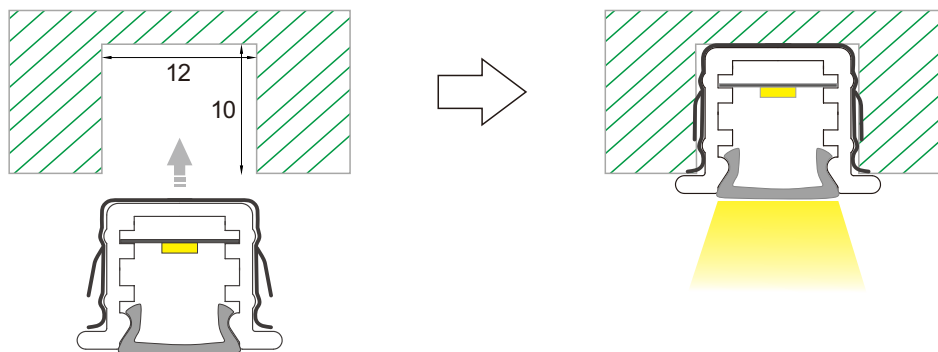


Model	SUR-CLD1010
Size (mm)	10*10
Material	6063 T5 Aluminum Alloy
Finish	Aluminum Anodized
Color	Black
Lighting direction	Front luminous
Installation	Recessed Mounting
Color Temperture	3000K/ 4000K/ 6000K
Voltage	DC 12V
Power(W/PC)	3.4/ 5.6/ 7.4/ 9.2/ 11/ 13.7
Power output contact	SlingShot Contact
CRI (RA)	>80

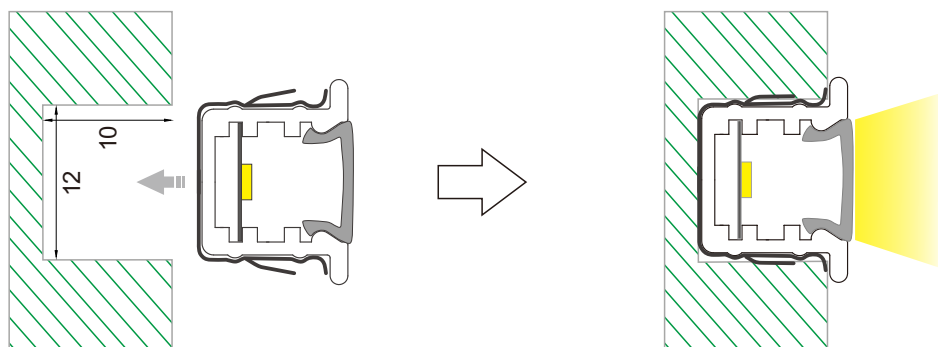
## How to install

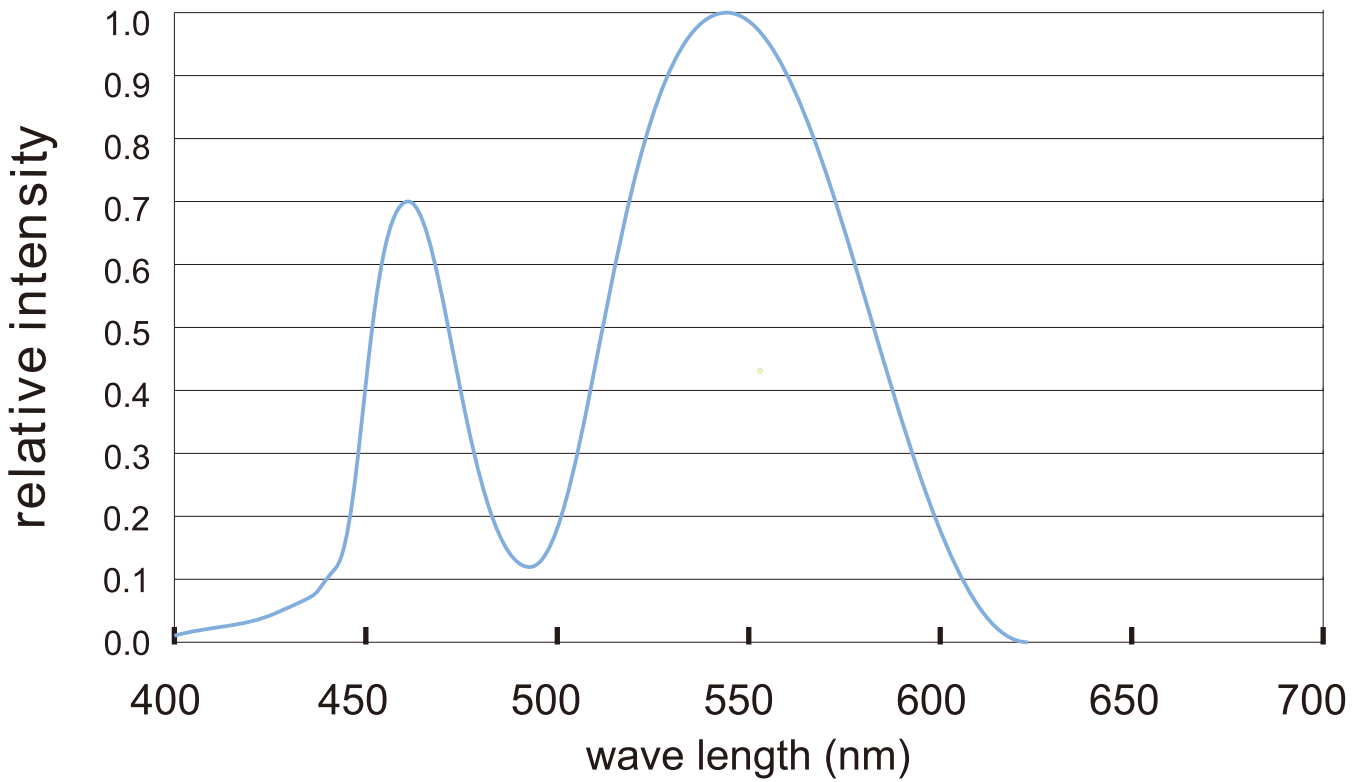
### 1. Horizontal installation

The slotting dimension is 12mm wide and the depth is 10mm



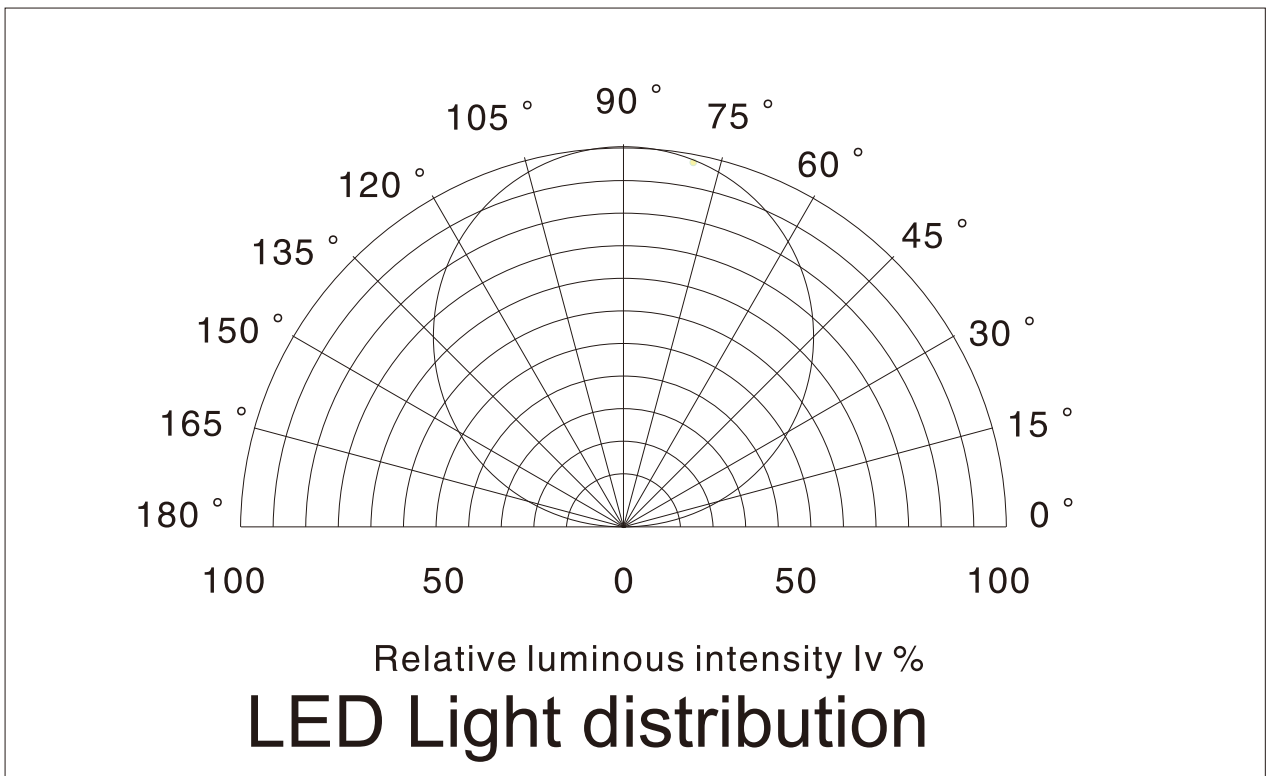
### 1. vertical installation





for: white LED

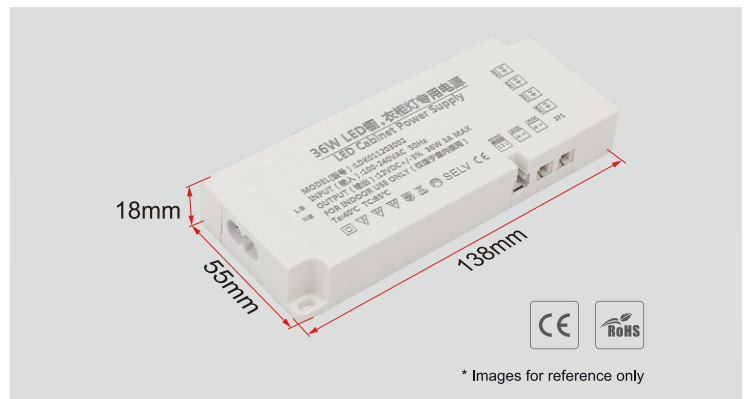
Radiation diagram



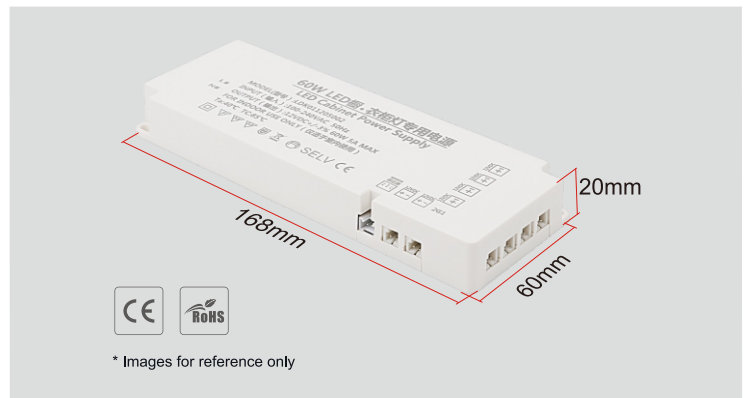


## Recommended model of LED cabinet light power supply

<b>SUR-12036-CP</b>
Constant voltage mode output
Watts ( 36W )
Voltage range (100-240VAC)
Protection class II
6 outputs and 1 sensor connector



<b>SUR-12060-CP</b>
Constant voltage mode output
Watts ( 60W )
Voltage range (100-240VAC)
Protection class II
6 outputs and 1 sensor connector



## Installation procedure

