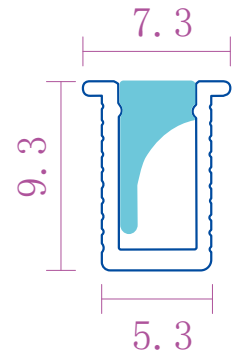
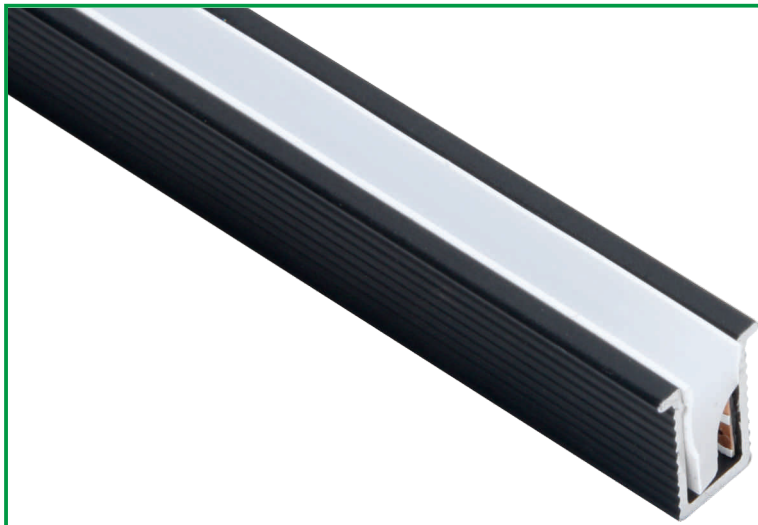


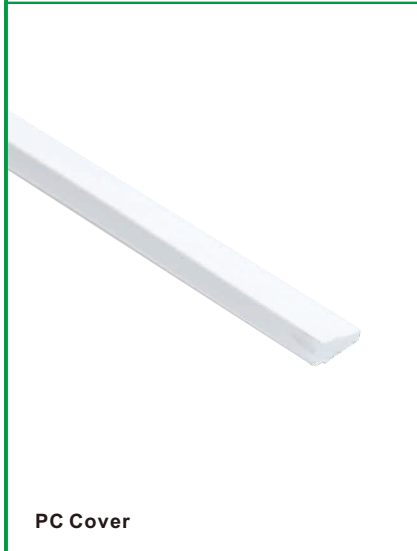
Wooden Panel LED Aluminum Profile-A0709



Customized Color can be ordered

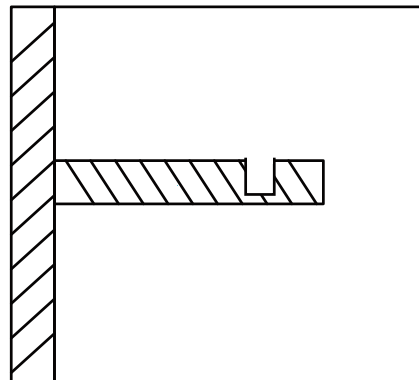


LED Aluminum profile 1~3meter

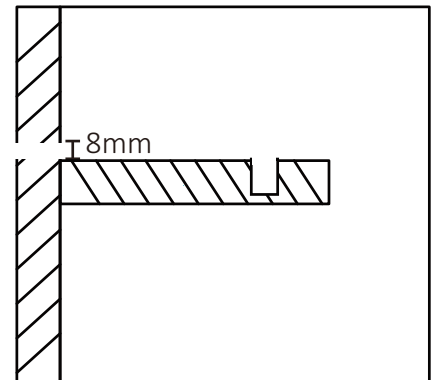


PC Cover

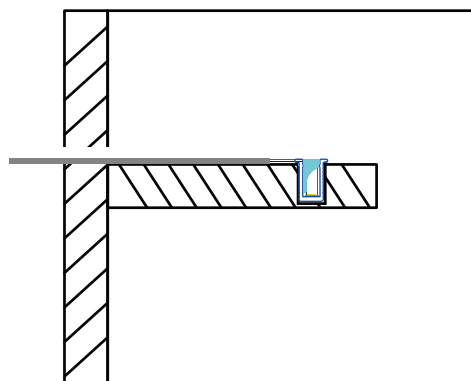
Service Environment and Installation:



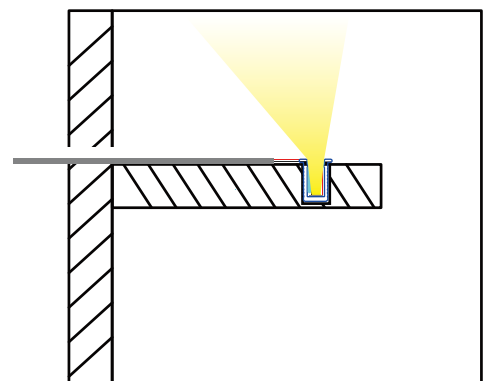
Reserve space on wooden panel for installing LED profile.



Drill a $\phi 8\text{mm}$ (recommendatory) hole in the backside of the furniture, to allow power supply cable to go through.



Install LED light on the wooden panel. Connect power supply with the wooden panel LED profile.



Turn on the power and light is ON.

Scenes to be used

