



SurMountor



F002

LED Cabinet / Shelf Light

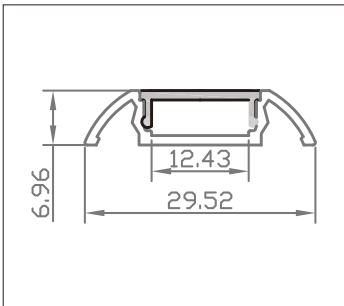
Product specification

Lister: Lxlan

Assessor: 

Approver: 

LED Light F002			With 2835 LED STRIP and touch sensor switch				
Model	Power	Lumens/M	Ra	CCT(K)	Length	Voltage	LED Type
F002-560	7.2W	600~750 lm	>80	WW/NW/CW	560MM	DC12V/24V	SMD2835
F002-860	11.5W	1050~1300 lm			860MM		
F002-1160	15.8W	1450~1800 lm			1160MM		

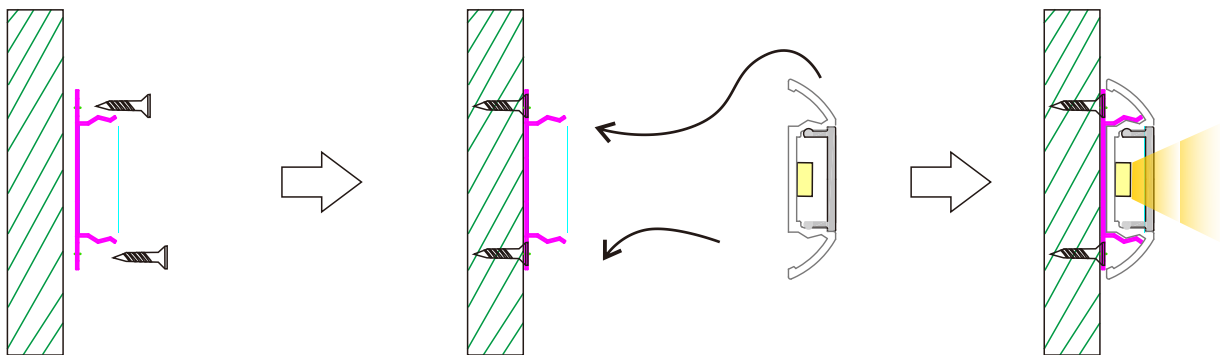


F002 LED light, easy to be installed for cabinet / shelf lighting. Substantial aluminum mass provide good heat dispersion for high power LED strips.

With TD011 touch dimmer being installed inside, the light can be on/off/dimming when touching any place of the aluminum part.

Installation:

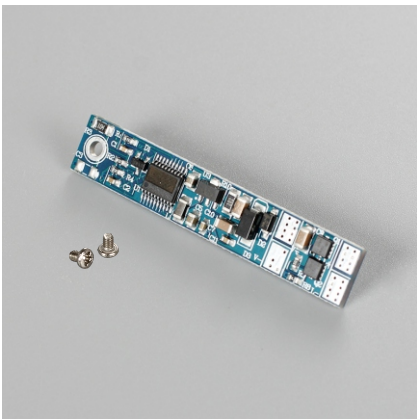
1, With clip





LED Aluminum Profile F002

- > Match Flexible LED Strips: Up to 12mm wide.
- > Material: Anodized Aluminum Extrusion.
- > Cover: Transparent, Milky, Frosted PC Cover.
- > Length: 1.5 meter longest.
- > Mounting: Surface.



Touch-Alu Profile LED Sensor Switch TD011

- > Dimension: 10*55mm.
- > Input voltage: 12-24VDC.
- > Loading power: 3A max.
- > Load around 36W for 12V, or 72W for 24V.
- > Touch-Alu LED sensor switch with dimming and 0V memory function.



2835 Single color 120LED/METER

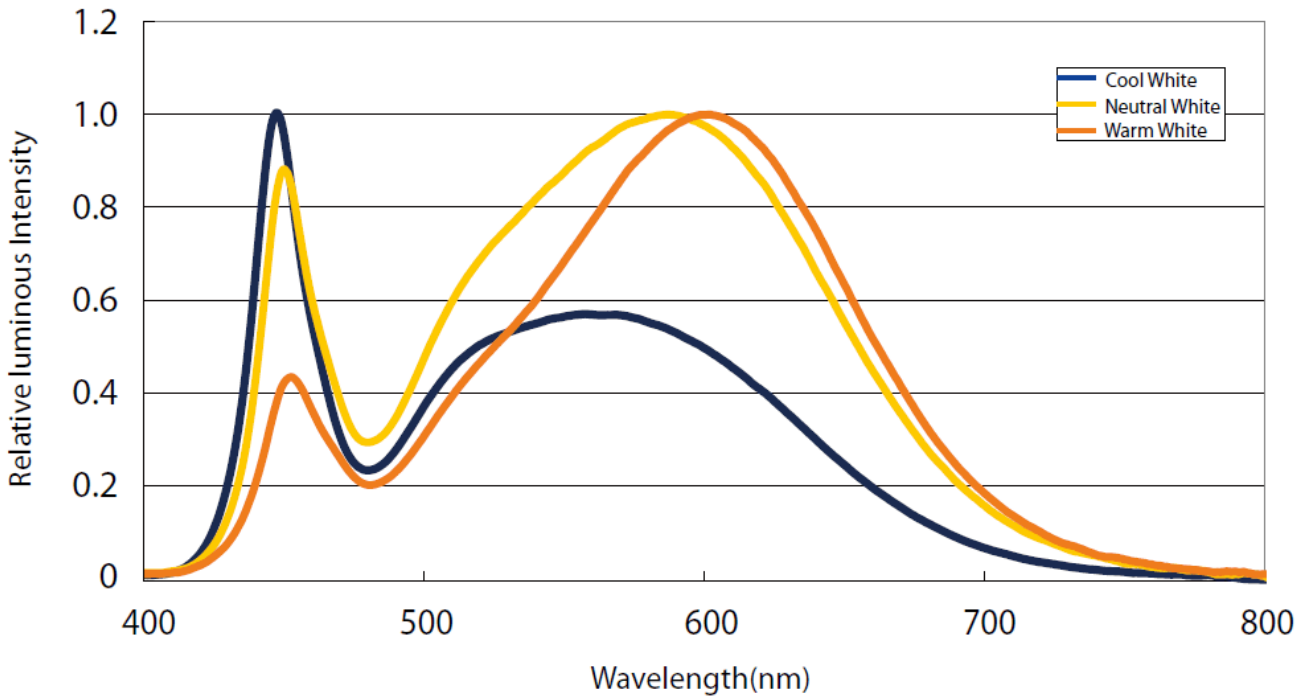
- > Input voltage: 24VDC.
- > Power: 14.4W/M.
- > CCT: 3000K/4000K/6000K.
- > CRI >80.
- > Lumens: 1300lm/M | 1450lm/M | 1600lm/M.
- > Waterproof: IP20.



Power Supply

- > Watts: 75W.
- > MW Dimmable.
- > Output Voltage: 12V or 24VDC.
- > Input Voltage: 220V.
- > Waterproof: IP20.
- > The power supply must be Class I(with a grid ground wire).

Color Spectrum (CRI80)



Radiation diagram

