



SurMountor



A1713

LED bar grow light

Product specification

Lister: Lxlan

Assessor: 

Approver: 



LED Aluminum Profile A1713

- > Match Flexible LED Strips: Up to 12mm wide.
- > Material: Anodized Aluminum Extrusion.
- > Cover: Milky PC Cover.
- > Length: 1 to 3 meter long.
- > Mounting: Surface.

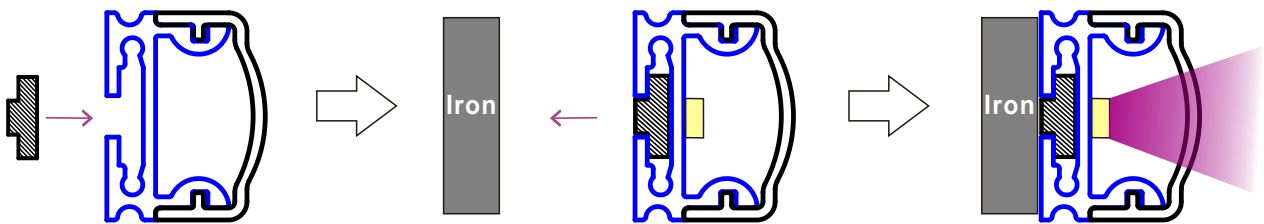


2835RBNW LED grow light strip

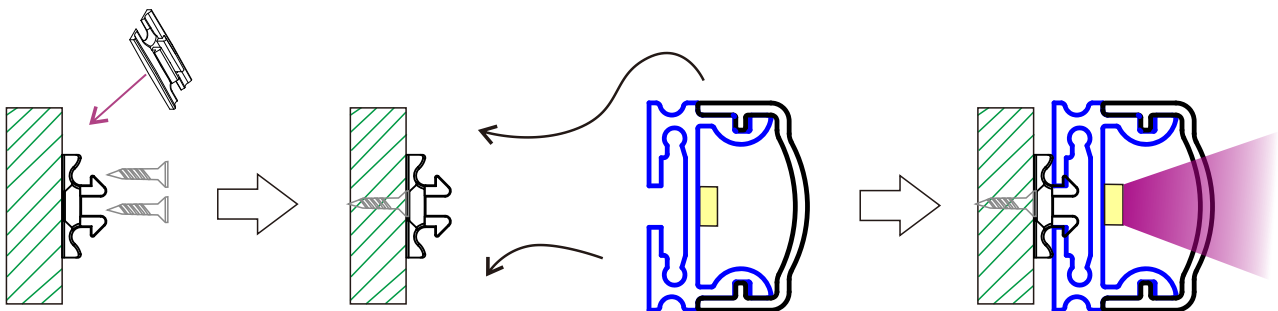
- > Input voltage: 24VDC.
- > Power: 14.4W/M.
- > Color: R:W:R:B=2:1:2:1
Red:650-660nm; Blue:450-460nm; NW:4000K.
- > Waterproof: IP54

How to install:

1, with magnet

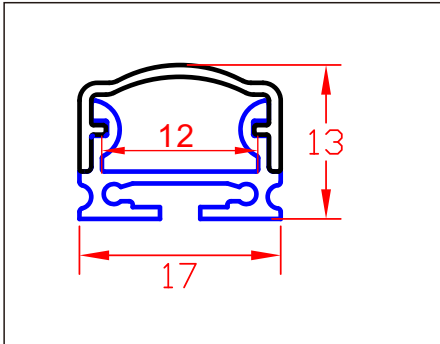


2, with clip(optional)



Specifications:

Model	Power	Leds/M	Color	Length	LED Type	Voltage
A1713-1000	14.4W	120	R:W:R:B=2:1:2:1 Red:650-660nm; Blue:450-460nm; NW:4000K	1000mm	SMD2835	DC24V



The LED Grow Light Bar A1713 has special grow light spectrum dedicated for different plants, it is waterproof IP54, and easily connected to each other by the quick connectors. The light bar can be easily attached to metal plate by magnet or to the wood plate by mounting clips.

Accessories:

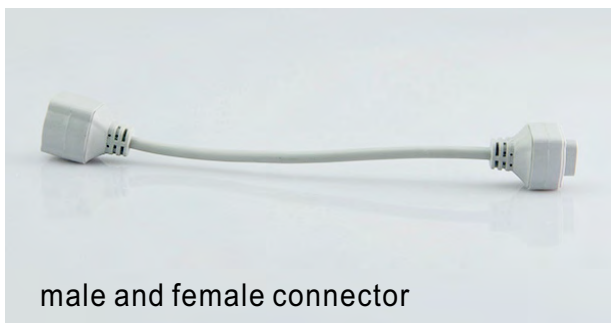
1, The LED Grow Light Bar can be connected to another led grow light bar directly by male and female connector on the both ends of the bar or by interconnect cables,



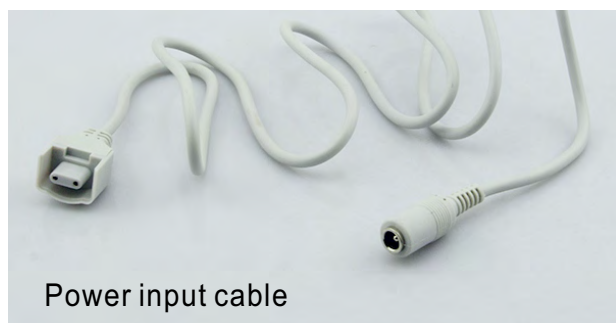
2, The LED grow Light Bar can be connected to another LED grow Light Bar directly by male and female connector on the both ends of the bar. or by interconnect cables.



Accessories(optional):



male and female connector



Power input cable

Special angular mounting bracket with strong magnet can be clip onto the back of light bar. So the LED Grow Light Bar is adjustable. The mounting bracket can be fixed by screws or either by magnet. Total 4 mounting brackets: 0°, 30°, 45°, 60°.



Accessories:



