



IP67

N0513

LED Neon Light Silicone Tube

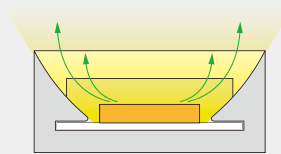
Product Specification



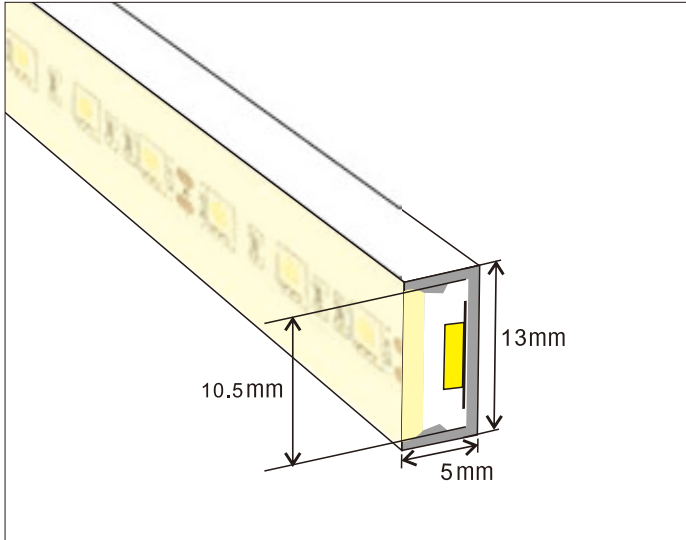
Product Features

- Color temperature consistency
- The close integration of well heat-conducting PCBA and silicon to ensure led lifespan and improve led strip heat dispersion
- Application of Automation Technology Extrusion waterproof, arriving high products standard and consistency
- Application of environmental silicon material makes the good weather-resistance possible

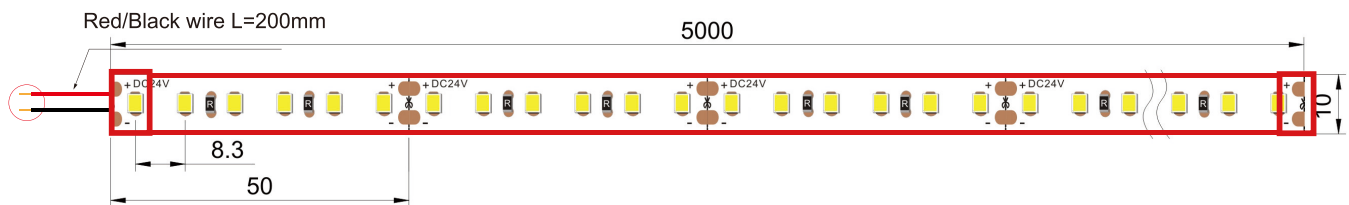
Professional structure design
reduce the optical loss while
increasing top light rate by 6-9%



Structure & Spec.



Size (mm)	5*13
PCB Limited (mm)	8-10
IP Grade	IP67
Working Temperature	-20 to 50°C
N.W.(G/M)	53
Voltage (V)	12/24 DC
Watt (W/M)	14.4 Max.
LED Type	2835/3528/5050
Color	WW/NW/CW/RGB
Luminous (LM)	1260
Luminous Efficiency (LM/W)	88
* This lumen is based on SMD2835-120LEDS/M inside.	
CRI (RA)	>80



Packaging



100m/Roll



Each roll pack with expandable polyethylene and compression film to fix.



1Roll/box



Inner size
355x355x155mm

Cautions

- Please notice that the strips are not bendable to all directions. As the appropriate specific shape and degree, please follow the following instruction.
- LED strips are low voltage products, you must use the power supply (transformer). Please don't connect the led strip directly to the AC 110V or AC 220V. Otherwise, it will burn out the LED strips and lead to safety (security) accidents.
- Please read the specifications thoroughly before installation by professional staff to make sure the safe use.

Wrong bending way

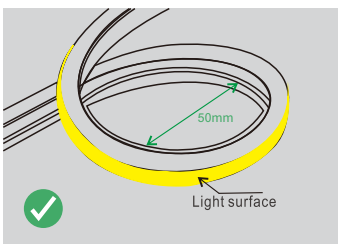


Face to the side surface (as the picture shows). Do not bend upward to damage the strip.

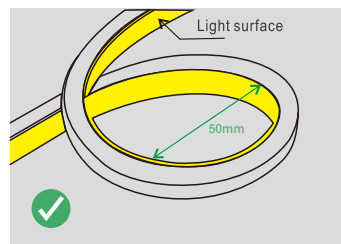


As the picture shows, please do not twist the strip, or it will be damaged.

Correct bending way



Light surface upwards, the strip is bendable to right or left naturally, the minimum bending diameter is 50mm.



Light surface upwards, the strip is bendable to right or left naturally, the minimum bending diameter is 50mm.