

SUR-FCOB378-24V

FLEXIBLE STRIP INTRODUCTION

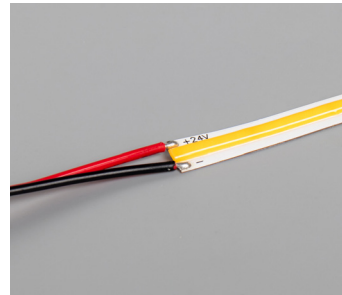
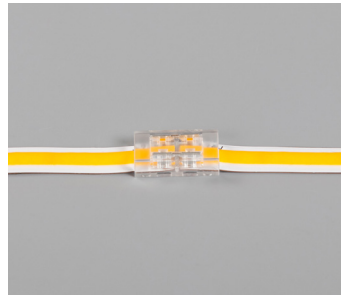


Lister
George Lu

Assessor
Keysely Zhang

Approver
Johnson Wan

Photos



Features



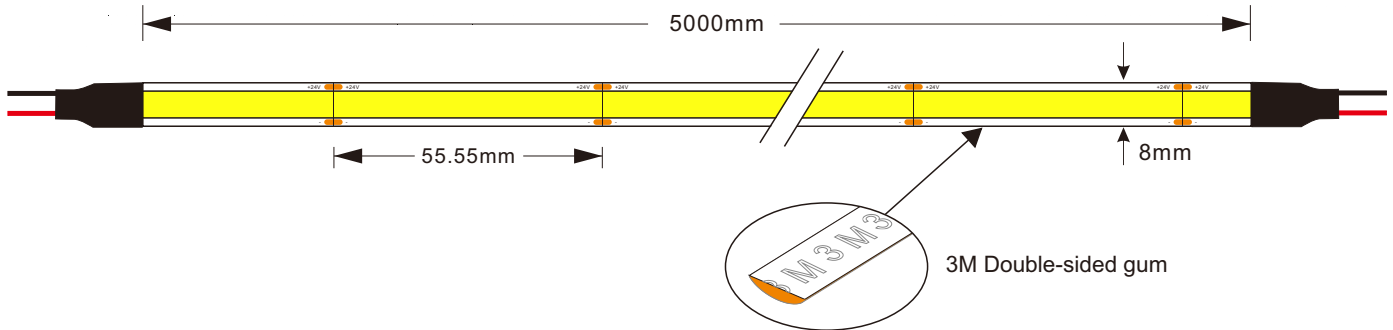
- *New flip chip on board flexible LED strip, 378 chips per meter.*
- *Ideal for LED lighting application to avoid multi-shadows.*
- *Higher heat conductivity for better thermal management.*
- *Provide variable and innovative array LED layout designs and combinations.*
- Available in 24V DC maximum.
- Very bright & low power consumption.
- Operating temperature: -20 to 50°C.
- Long life span LED lights: 50,000+ hours.
- Adhesive back, peel & stick!
- Available for all controllers and dimmers.
- Non-waterproof, IP20.

Applications

Ideal for sign letters and channel letters, concealed lights, room lighting, equipment.

Assembly drawing

Top View



Section

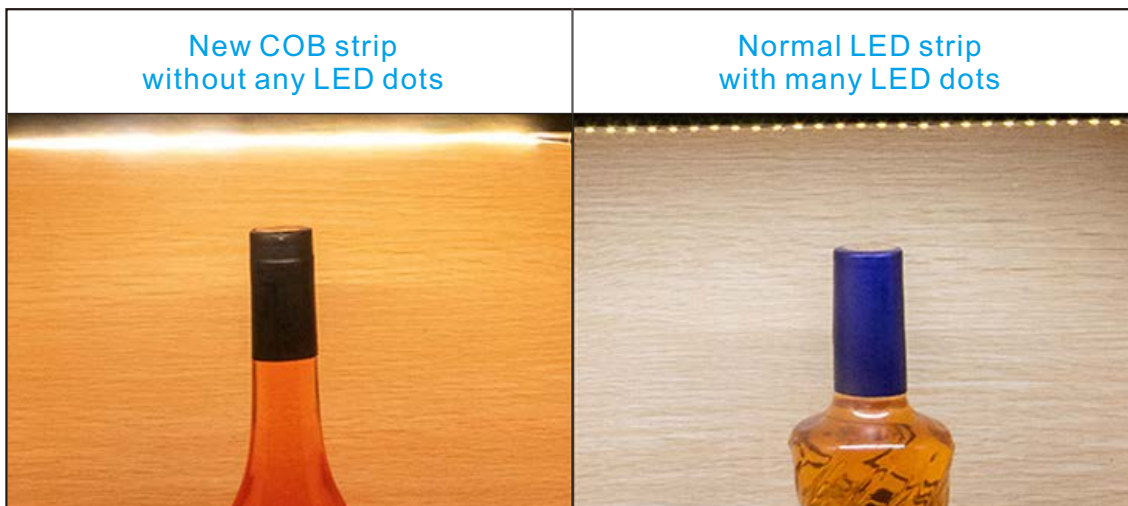


Parameter

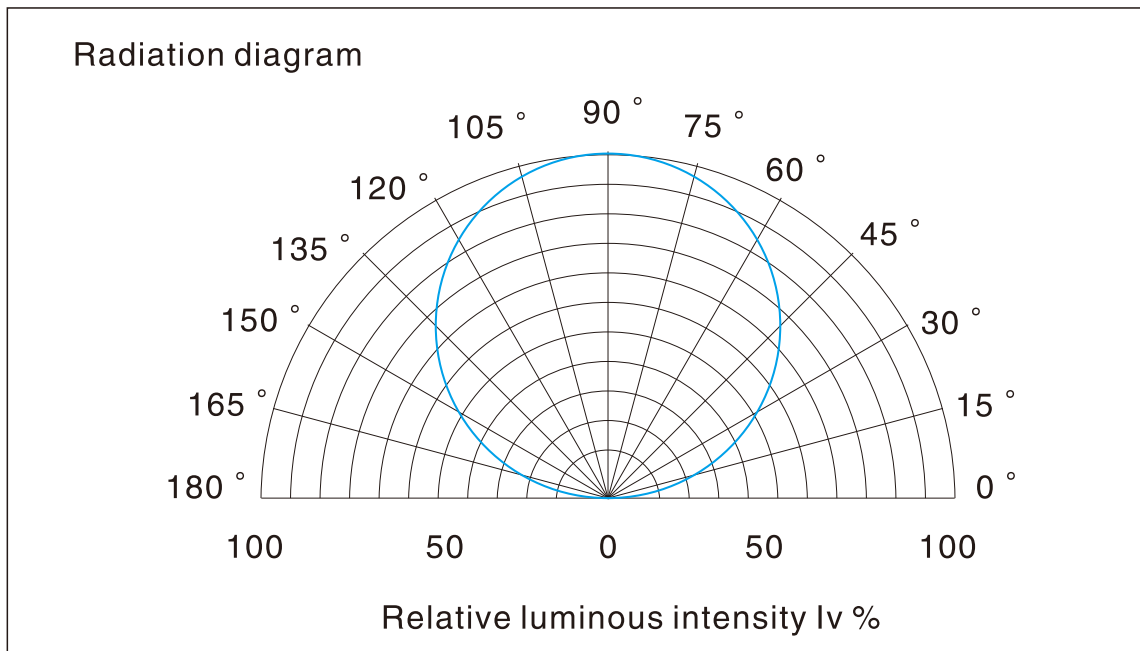
Dropper series: SUR-FCOB378-24V

Part number	Color	LED QTY/M	Lumen/M	Voltage	Power/M	Packing means
SUR-FCOB378-24V	2700K ■	378	800	DC24V	10W	5 M/Reel
	3000K ■		900			
	4000K ■		1050			
	6500K ■		1000			

Contrast

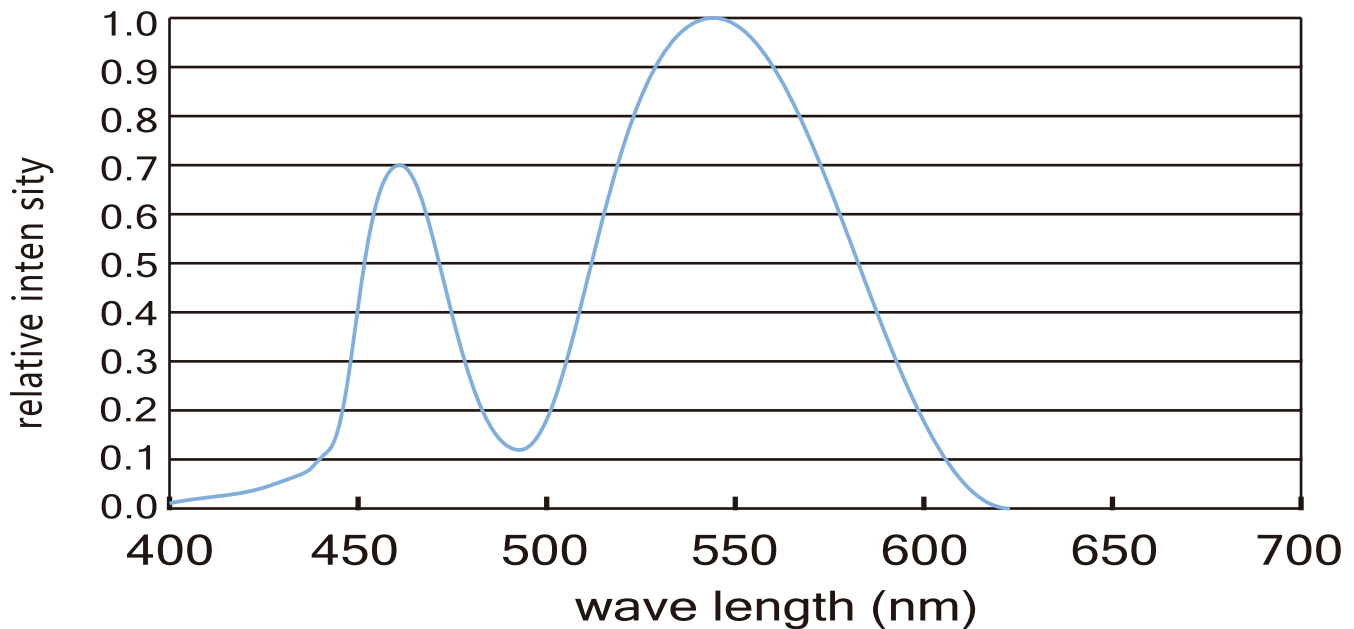


LED Light distribution



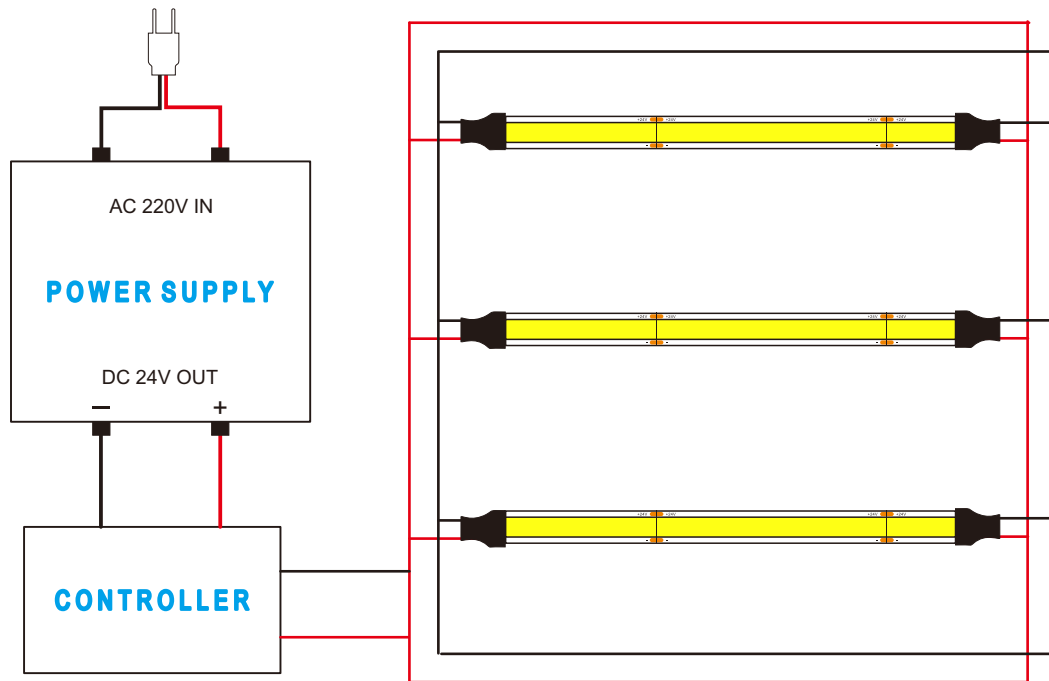
Color Spectrum (CRI90)

For: white LED



How to connect flexible strip

Below shows you how to connect the flexible strip to power supplies.

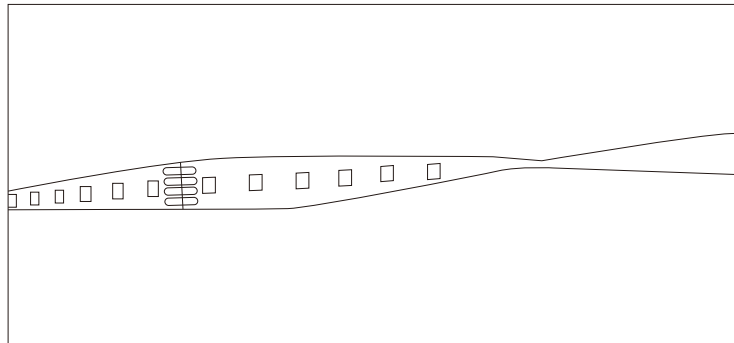
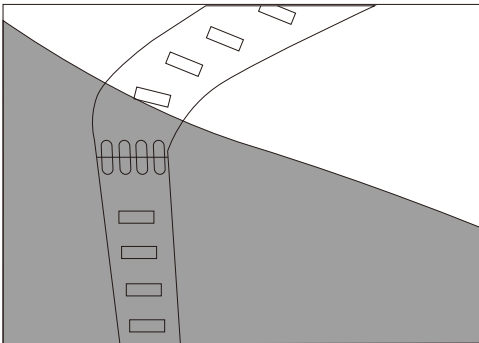
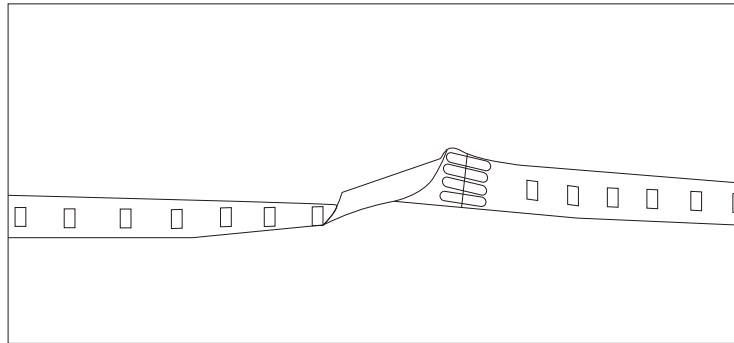
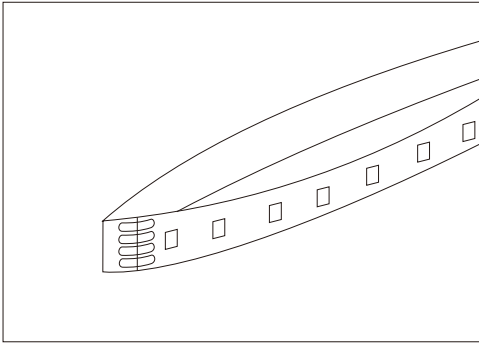


- Note:**
- (1) Please note that, the LED strips should not be used in sealed or hot place, to make sure the heat dispersion is good for the LEDs.
 - (2) Each flexible strip with a total length of the series can not be more than 5 meters.
 - (3) Flexible strip with all of the total power can not exceed 90% of the power switching power supply.

Cautions

When install the led strip, please note the installation technique. The led strip can be bent, but not distorted, as shown below:

X Distortion (Wrong)



O Bend (Right)

