



SurMountor



SUR-FCOB500-24V

FLEXIBLE STRIP introduction

Product specification

Lister: Lxlan

Assessor: 

Approver: 

Features:

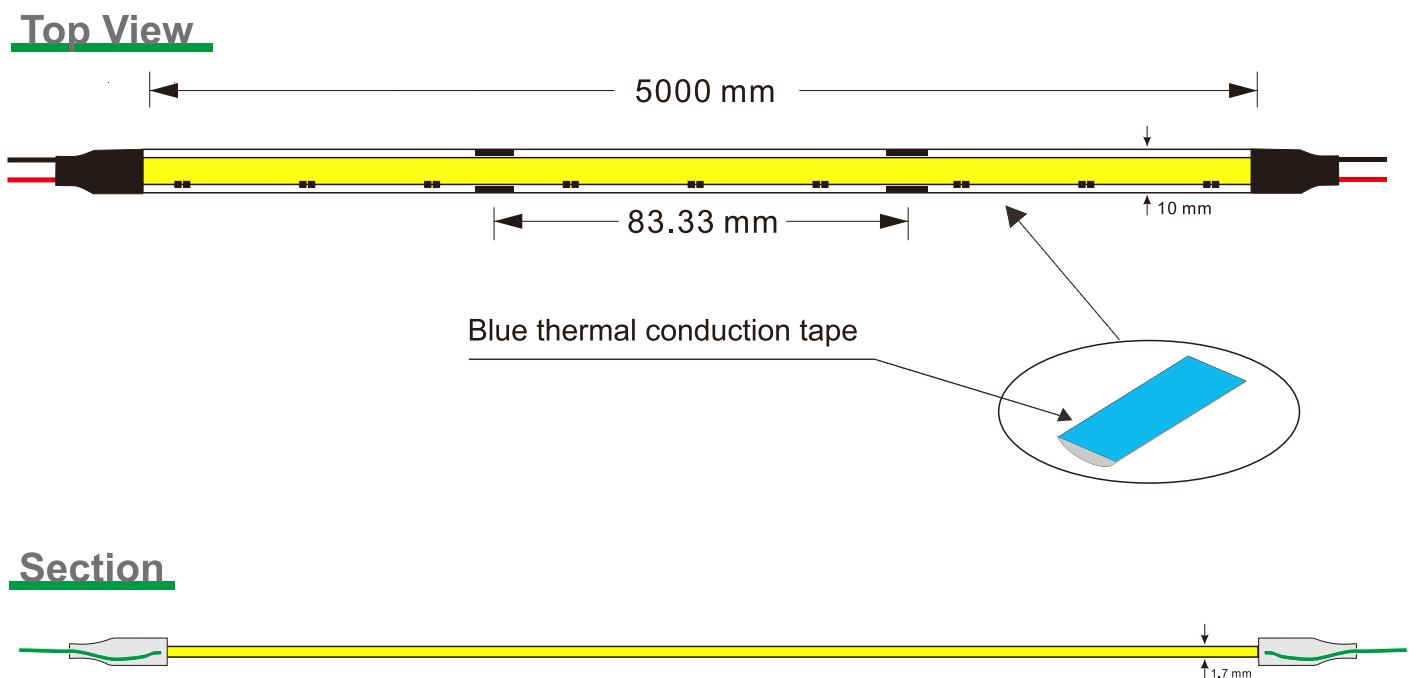
- 1) New flip chip on board flexible LED strip, 500 chips per meter.
- 2) Ideal for LED lighting application to avoid multi-shadows .
- 3) Higher heat conductivity for better thermal management.
- 4) Provide variable and innovative array LED layout designs and combinations.

- Available in 24V DC maximum.
- Very bright & low power consumption.
- Operating temperature: -20~50°C.
- Long life span LED lights, more than 50,000 hours.
- Adhesive back, peel & stick!
- All available controller or dimmers.
- Non-waterproof, IP20.




Applications:

Ideal for sign letters and channel letters, concealed lights, room lighting, equipment.

Assembly drawing



Dropper series: SUR-FCOB500-24V

Part number	Color	LED QTY/meter	Lumen/meter	Voltage	Power/meter	packing means
SUR-FCOB500-24V	WW 	500	900	DC24V	12 watt	5 meters/reel
	NW 		950			
	CW 		930			

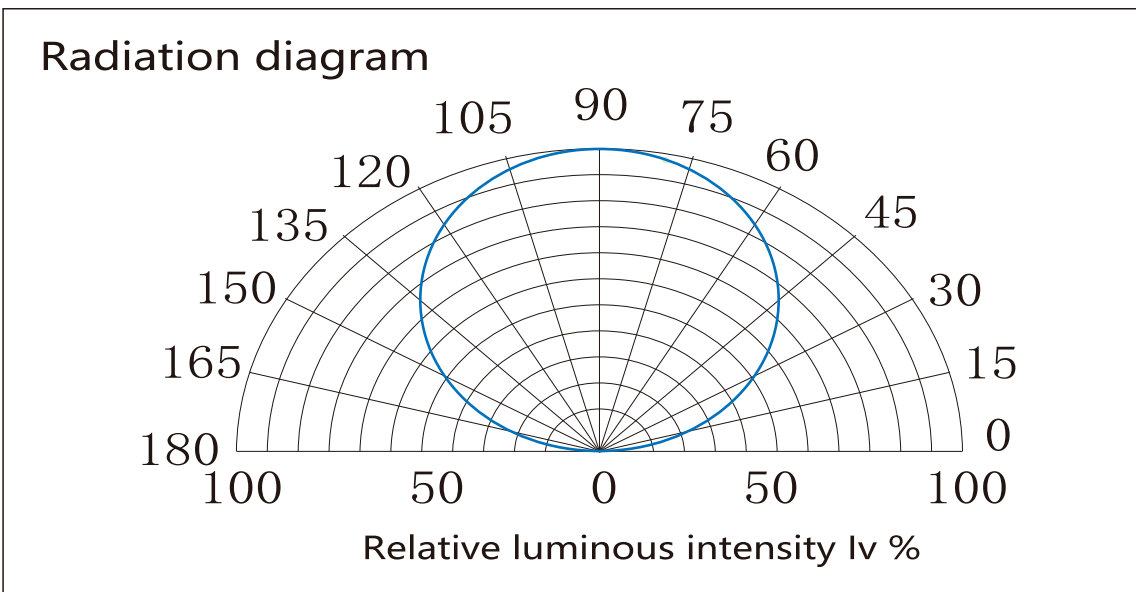
**New COB Strip
without any LED dots**



**Normal LED Strip
with many LED dots**

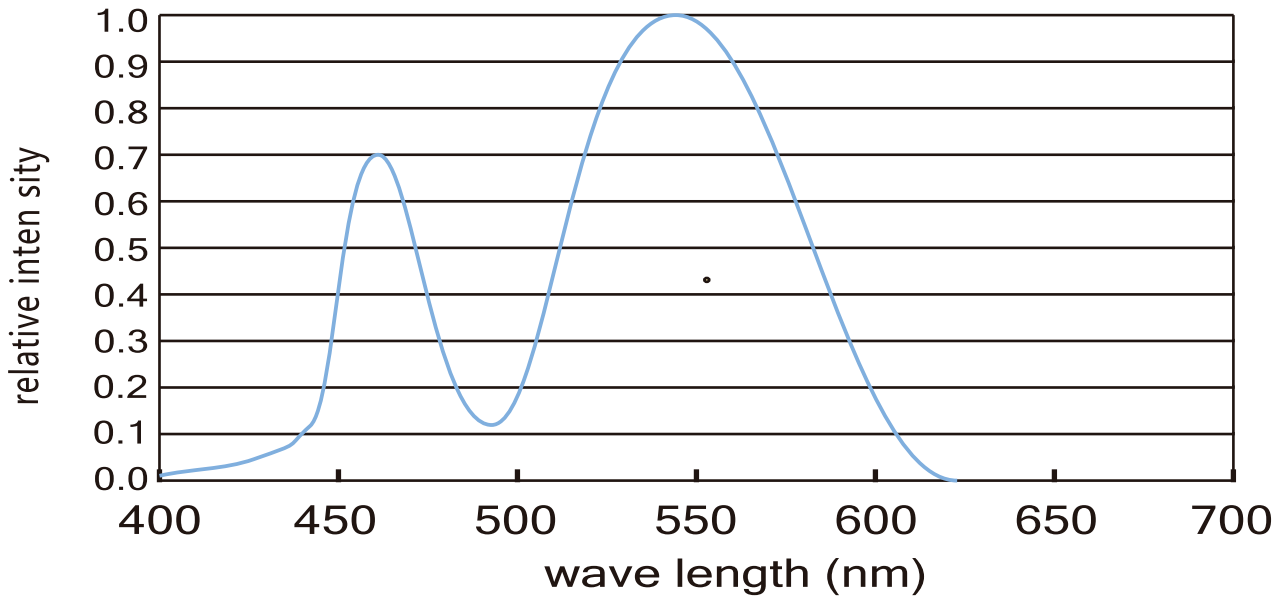


LED Light distribution



Color spectrum (CRI90)

For: white LED



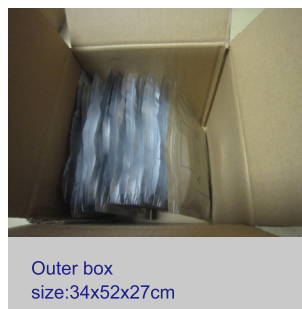
Package:



5 meters/reel



1 reel/bag



Outer box
size:34x52x27cm

25 Bags/Inner Box



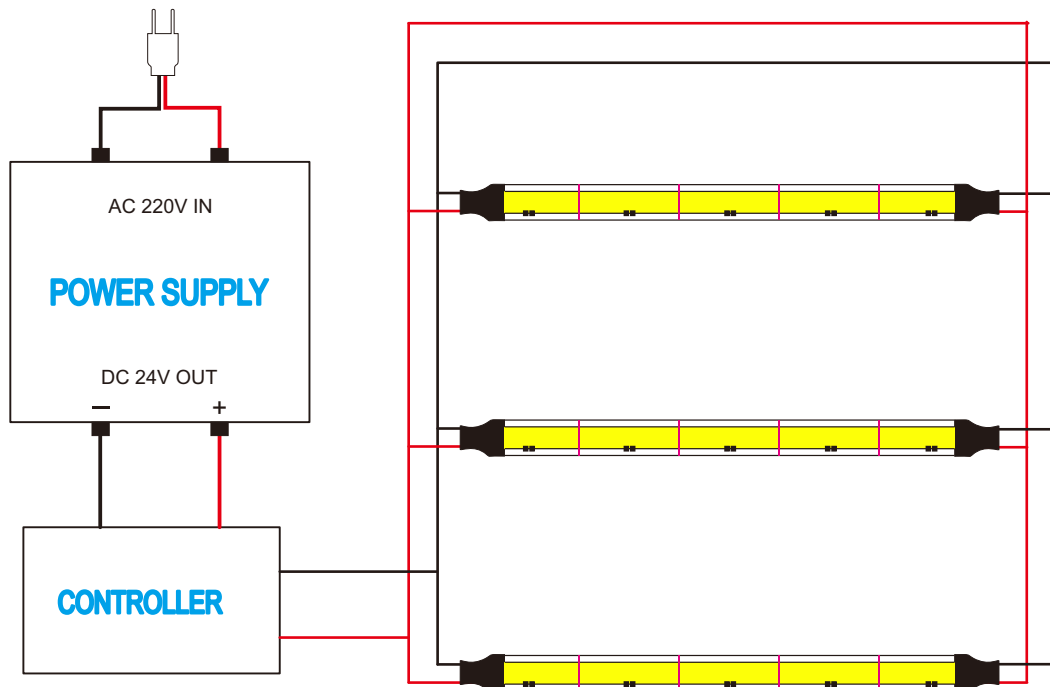
Outer box
size:34x52x27cm

50 Bags/Outer Box

Package: 5 meter strip in one reel, one reel in one anti-static bag, 25 bags put into one carton, 2 inner box put into 1 carton .

How to connect flexible strip

Below shows you how to connect the flexible strip to power supplies.



Note:

Please note that, the LED strips should not be used in sealed or hot place, to make sure the heat Dispersion is good for the LEDs.

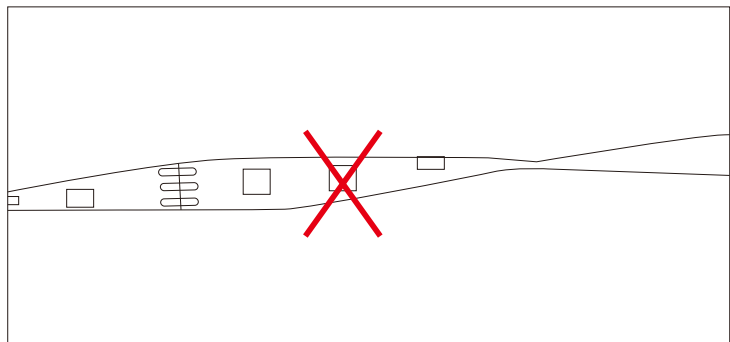
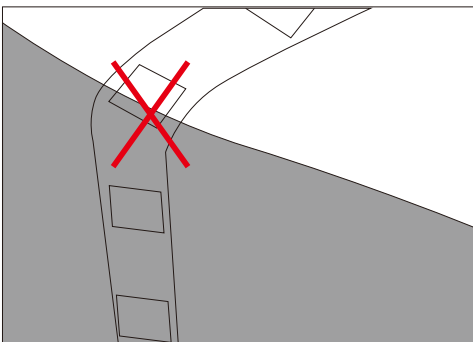
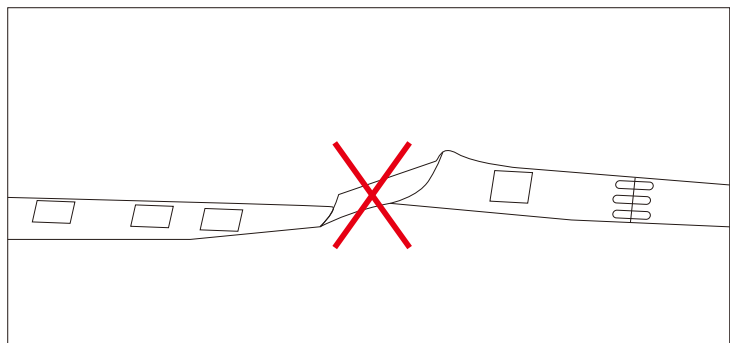
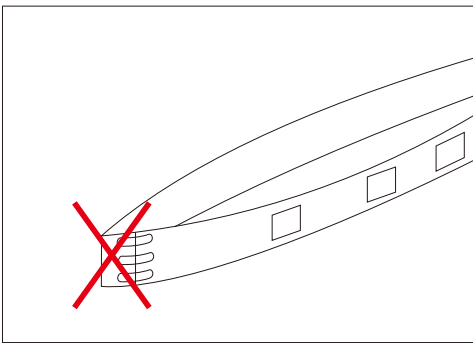
Each flexible strip with a total length of the series can not be more than 5 meters.

Flexible strip with all of the total power can not exceed 90% of the power switching power supply.

Cautions:

When install the led strip, please note the installation technique. The led strip can be bent, but not distorted, as shown below:

Distortion(Wrong)



Bend (Right)

