



SurMountor



SUR-2835FW60-24V

FLEXIBLE STRIP introduction

Product specification

Lister: Lxlan

Assessor: 

Approver: 

Features:

- Available in 24V DC maximum.
- Very bright & low power consumption.
- Operating temperature: -20~50°C.
- Long life span LED lights, more than 50,000 hours+.
- Adhesive back, peel & stick!
- Strip in **3 MacAdam Step** is available for CRI 80, for 3000K, 4000K, 5700K, 6500K.
- Non-waterproof, IP20.

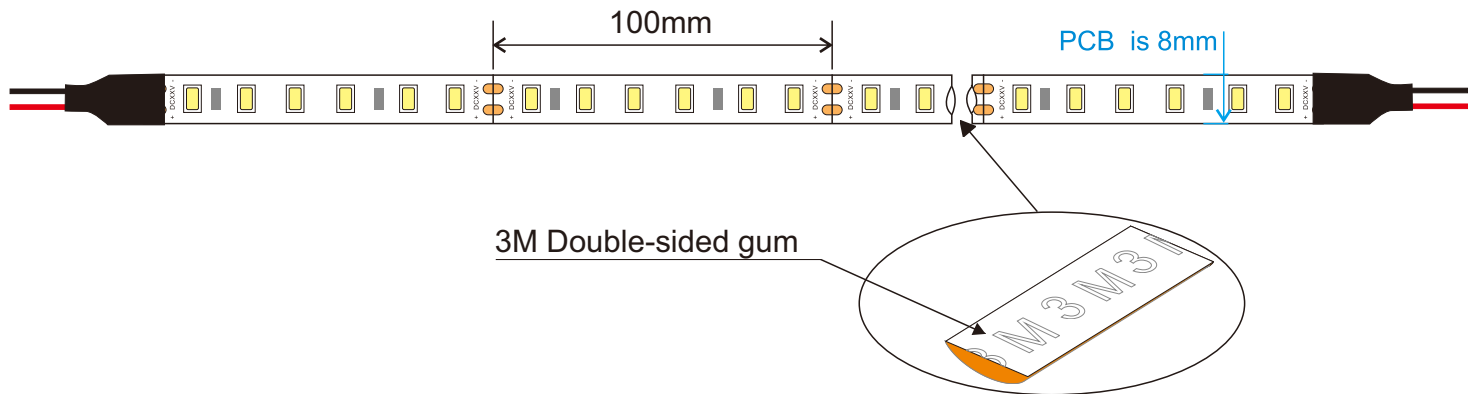


Applications:

Ideal for sign letters and channel letters, concealed lights, room lighting, equipment.

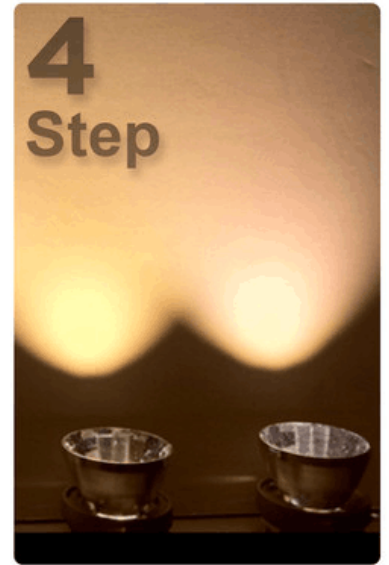
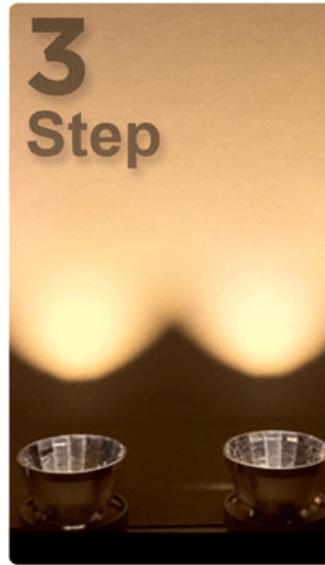
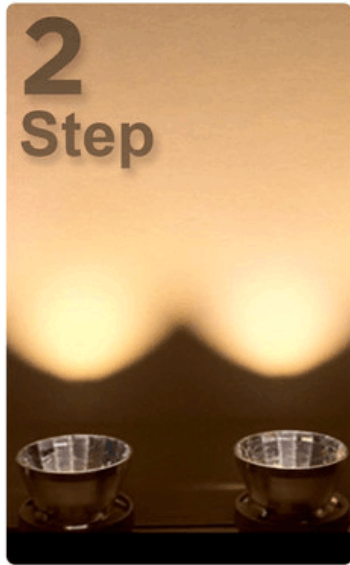
Assembly drawing

Top View



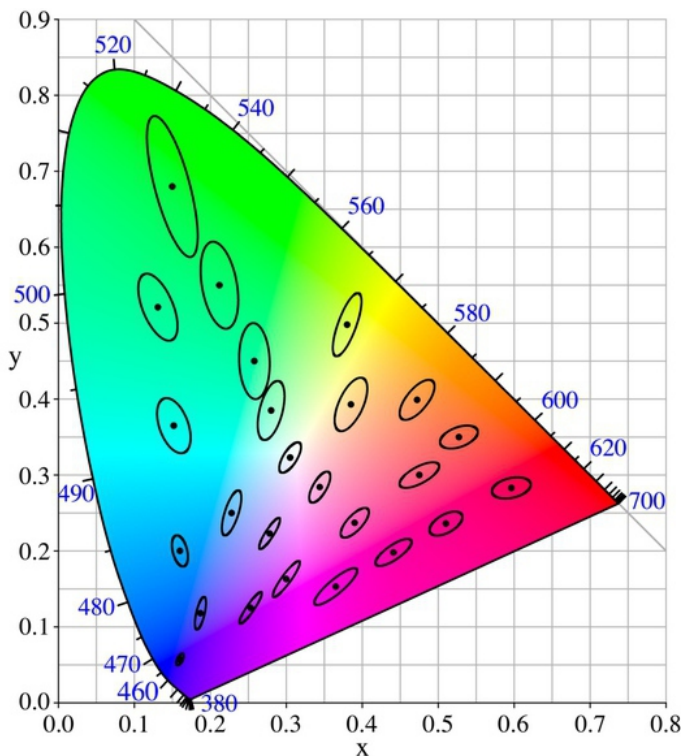
Section








A MacAdam's ellipse is a ellipse drawn around a target color on the CIE chromaticity diagram. Each step represents a standard deviation of measurements on how far deviations in the target color could be before they were perceptible to color-normal human observers. If you draw an ellipse for each standard deviation, you get a set of concentric ellipses. A 3-step ellipse would be significantly smaller and reside well inside of a 7-step ellipse for the same target color. Statistically (assuming a normal distribution), colors on the boundary of the 3-step ellipse would be distinguishable from the target color by about 99.7% of the population. Colors on the boundary of a 1-step ellipse would be distinguishable from the target color by about 68% of the population. Going all the way out to 7 steps would seem to serve no practical purpose. Individuals who cannot distinguish colors out to 7 standard deviations are likely to be totally color-blind, or maybe just plain blind.

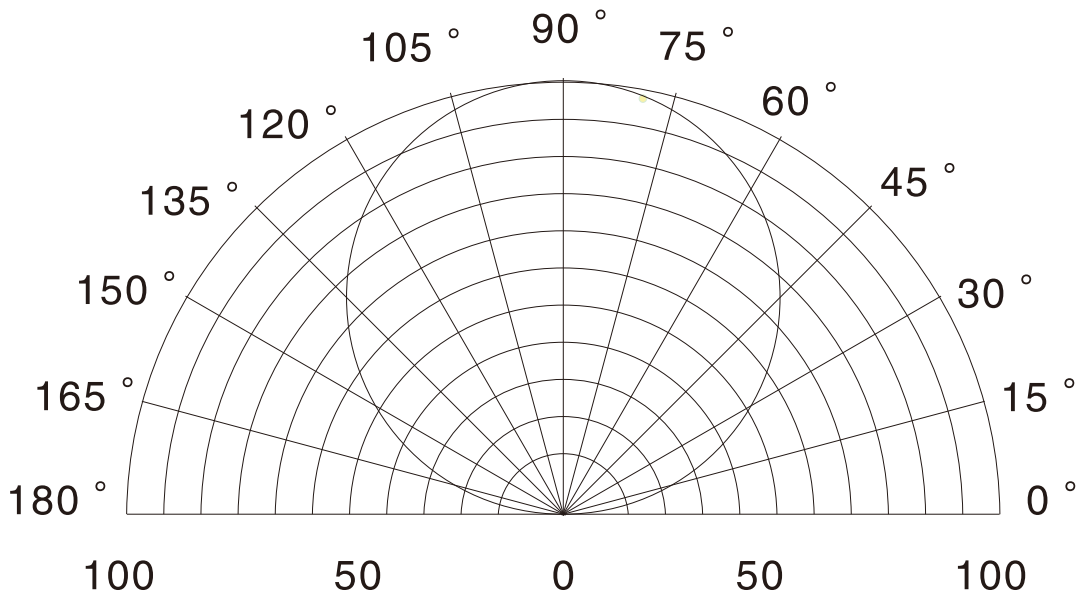
What is a MacAdam Ellipse?



MacAdam ellipses for one of MacAdam's test participants, Perley G. Nutting Jr.(observer "PGN"), plotted on the CIE 1931 xy chromaticity diagram. The ellipses are ten times their actual size, as depicted in MacAdam's paper.

| SMD2835,60LED/meter | | | | | | | | |
|---------------------|-------------|--|------------------|-----------|---------|---------|---------|---------------|
| Part Number | Size | Color | Cut every (LEDS) | LED Qty/M | Lumen/M | Voltage | Power/m | Packing/m |
| SUR-2835FWW60-24V | L5000*W8*H3 | WW  | 6 | 60 | 1000 | 24V | 14.4W | 5 Meters/reel |
| SUR-2835FNW60-24V | | NW  | | | 1100 | | | |
| SUR-2835FCW60-24V | | CW  | | | 1200 | | | |

Radiation diagram

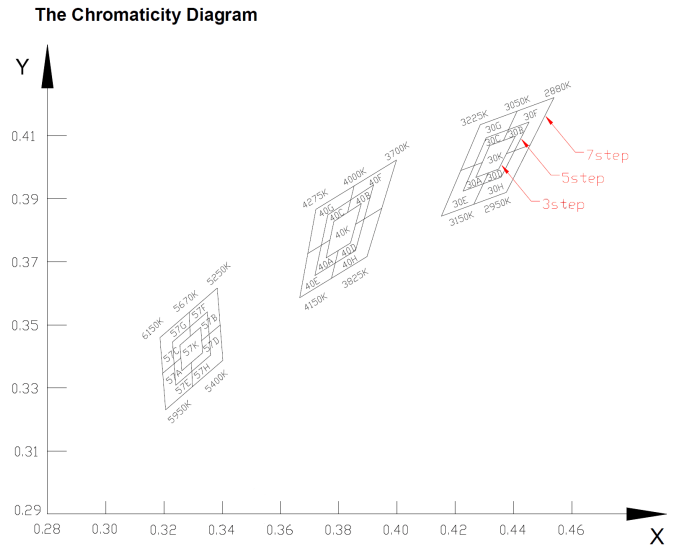
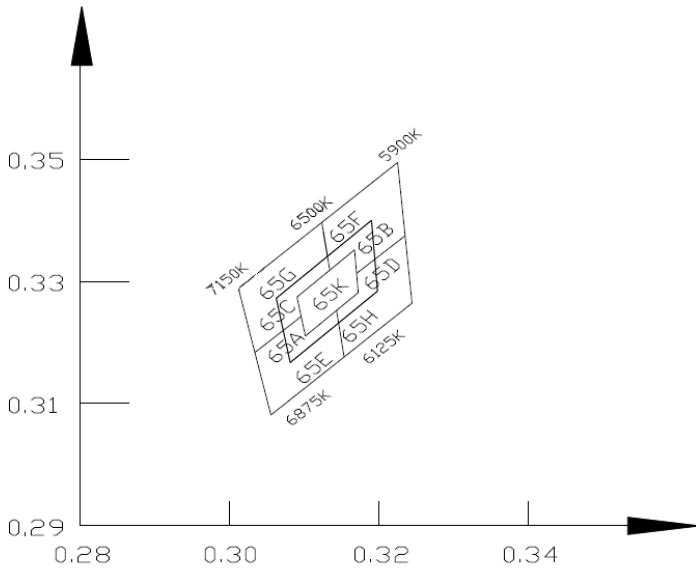


Relative luminous intensity Iv %

LED Light distribution

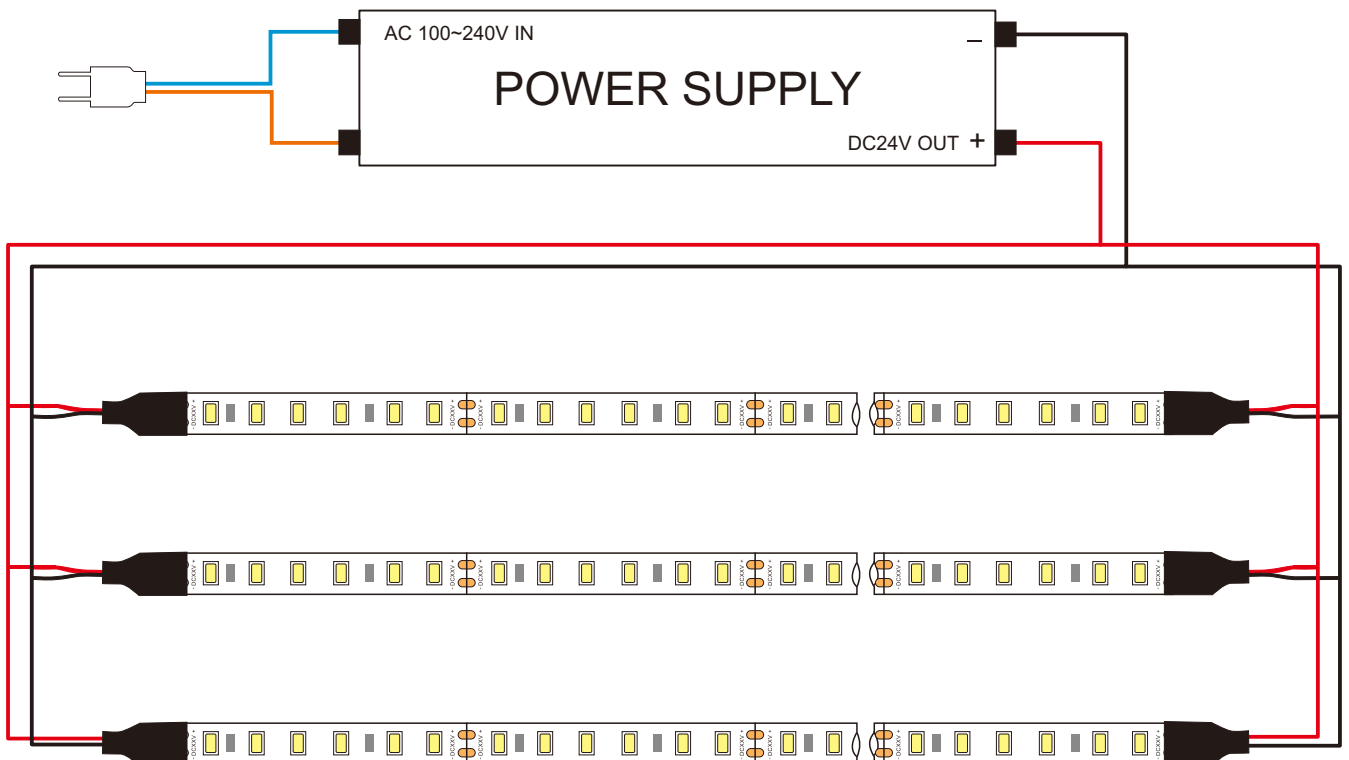


3 MacAdam Step



How to connect flexible strip

Below shows you how to connect the flexible strip to power supplies.



Package:



1 reel/bag



25 bags/Inner Box

Inner box
size:25x26x31cm



50 Bags/Outer Box

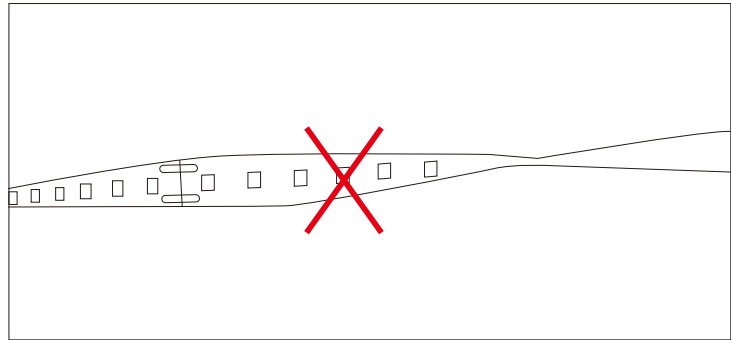
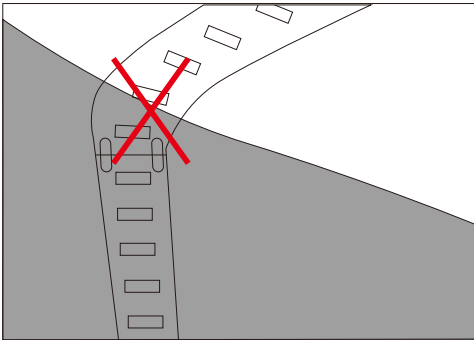
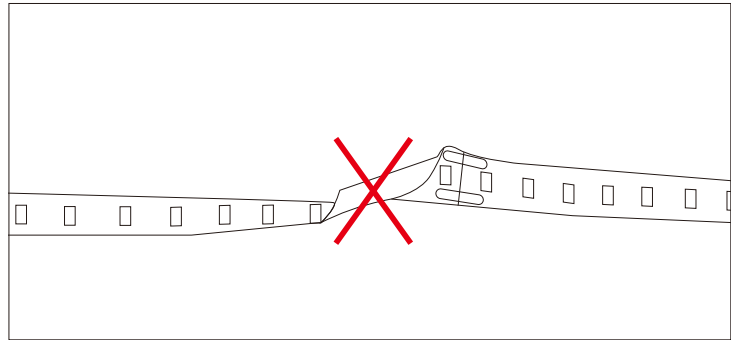
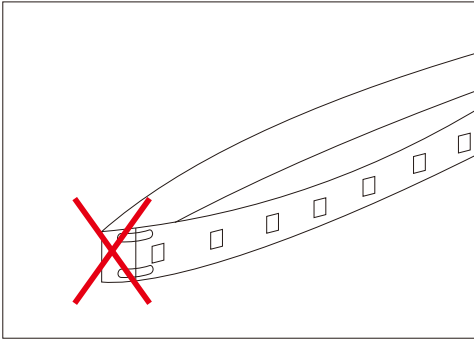
Outer box
size:34x52x27cm



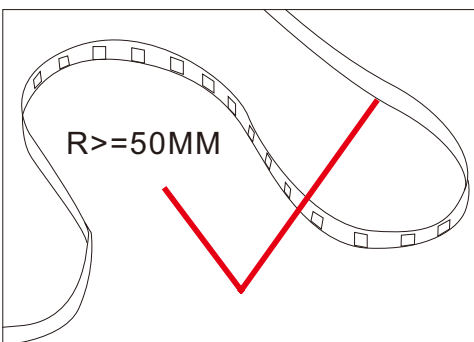
Package: 5 meter strip in one reel, one reel in one anti-static bag, 25 bags put into one inner box, 2 inner box put into one carton.

! Cautions:

When install the led strip, please note the installation technique. The led strip can be bent, but not distorted, as shown below:



Distortion(Wrong)



Bend (Right)