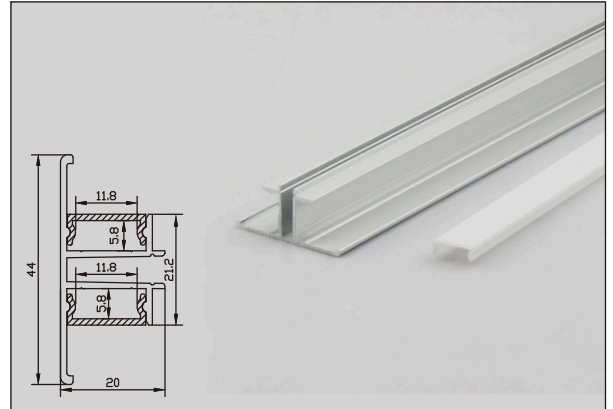


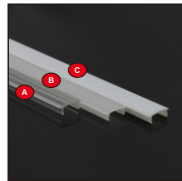
Surface Mounting LED Aluminum Profile B4420

Features And Standard Accessories

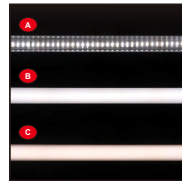
- Internal Width: 11.8 mm
- Material: Anodized Aluminum Extrusion
- Length: 1~3 meter
- Dimension: 20×44 mm
- Application: Surface
- Customized color can be ordered



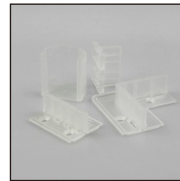
LED Aluminum profile
1~3 Meter



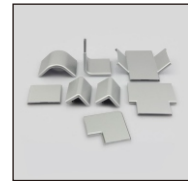
PC COVER
A: Transparent
B: Frosted
C: Mikly



PC cover for LED light
A: Transparent
B: Frosted
C: Mikly



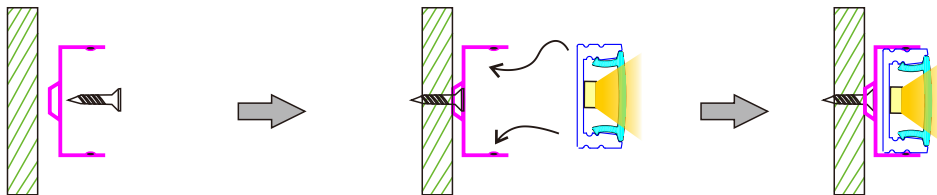
Mounting Clip
Plastic



Connector
Metal
Inside/Outside
Straight/X-shape
L-shape/T-shape

Installation And Service Environment

1: With clip



2: "Walk" along the wall in various directions;
Support Straight Connection, L/T/X-shape Connector.

