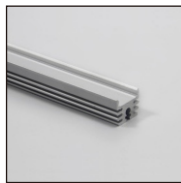
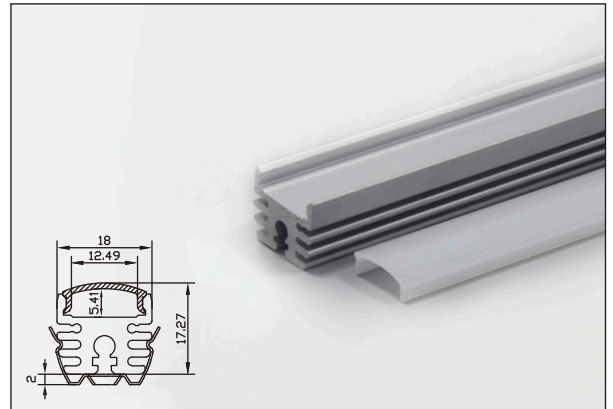


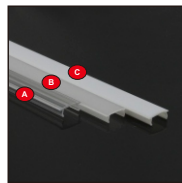
Surface Mounting LED Aluminum Profile A1817

Features And Standard Accessories

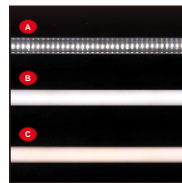
- Internal Width: 12.49 mm
- Material: Anodized Aluminum Extrusion
- Length: 1~3 meter
- Dimension: 18×19.27 mm
- Application: Surface
- Customized color can be ordered



LED Aluminum profile
1~3 Meter



PC COVER
A: Transparent
B: Frosted
C: Mikly



PC cover for LED light
A: Transparent
B: Frosted
C: Mikly



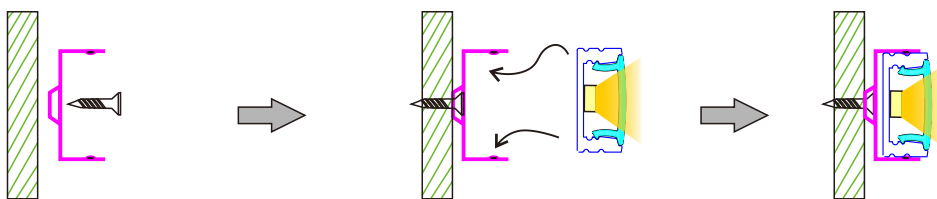
End caps×2
1 with hold
1 without hold



Mounting Clip×2
Metal

Installation And Service Environment

1: With clip



2: With double-sided tap

